

TABLE OF CONTENTS

Foreward	1
Table of Contents	2
Introduction to "J" Model	3
Photo and Ice Making Capacity	4
Specifications	5-6
General Description	7
General Information	8
Installation Instructions	9-11
Ice Dispenser Control System	12
Adjustment of Controls	13-15
Shutter and Bin Adjustment	16
Storage Bin and Dispensing Assy.	17
Bin Controls	18
Storage Bin Top Assy.	19
Dispenser Control System	20-21
Wiring Diagram	22
Reservoir Assy.	23
Cabinet Assembly	24
Cabinet Panels -Chassis	25
Chassis Assembly	26-27
Gear Motor Assembly	28
Freezer Assembly	29
Service Analysis (Icemaker)	30-31
Service Analysis (Dispensing Mechanism)	32
Maintenance Instructions (Flaker)	33
Cleaning Instructions	34
Accessory Kits	35-36

**THIS PAGE  
INTENTIONALLY  
LEFT BLANK**

**THIS PAGE  
INTENTIONALLY  
LEFT BLANK**

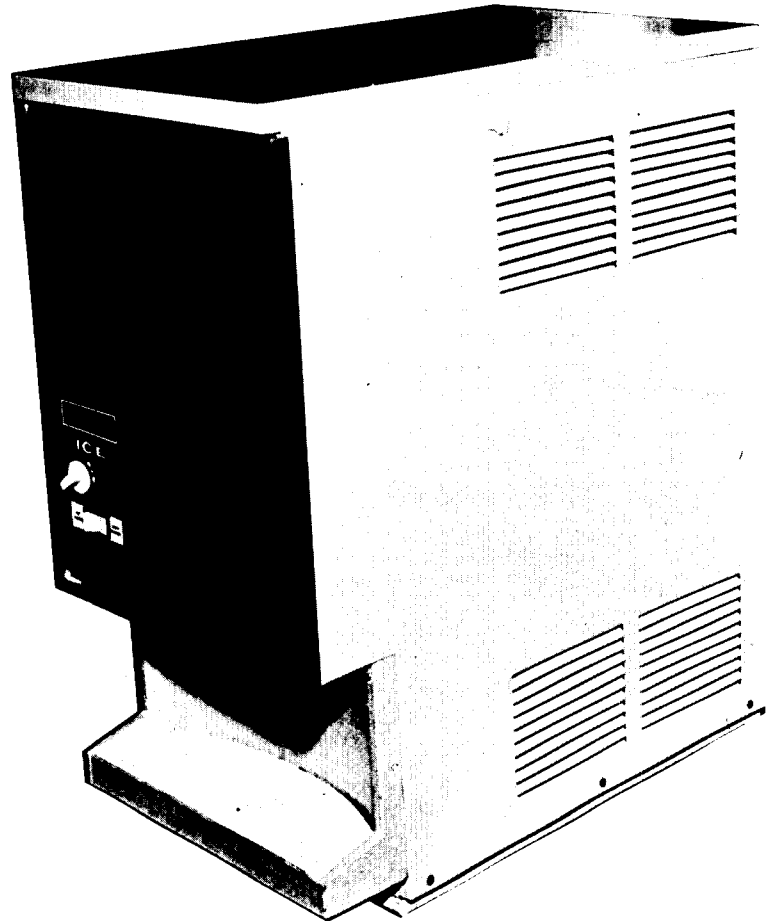
## INTRODUCTION TO "J" MODELS

Models ACD-75"J" series, incorporate a number of design improvements over former models, production started 1969. Starting serial number is LB-268715.

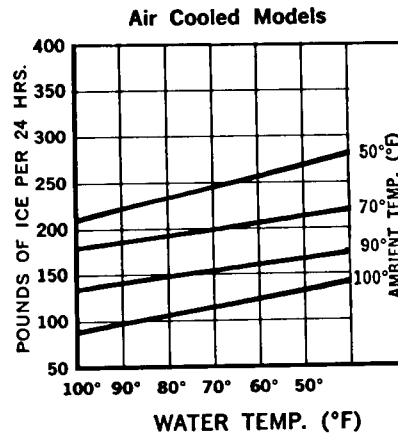
1. Overall cabinet height raised one inch, primarily in base to assure positive drainage.
2. External cabinetry consists of individual panels. Provides easier service access.
3. Differential paddle in bin cover now metal with nylon coating to eliminate breakage.
4. Die cast switch bracket on gear motor centrifugal switch - provides positive switch alignment & setting.
5. New type actuator arm, nylon coated, and vend switch arrangement. Nylon actuator arm protrudes thru sink wall and actuates a leaf type micro switch mounted on cabinet frame.  
Eliminates former rubber bumper style actuator and plunger type switch. Minimum pressure will actuate vend switch - Switch out of splash area.
6. Shaft on selector switch increased to 1/4" diameter holds knob securely.
7. Drain grille increased in thickness to eliminate breakage.
8. Vertical grooves in freezer tube to prevent squealing from "hard" ice.

# SCOTSMAN

## SUPER FLAKER ACD-75 SERIES ICEMAKER- DISPENSERS



ice making capacity

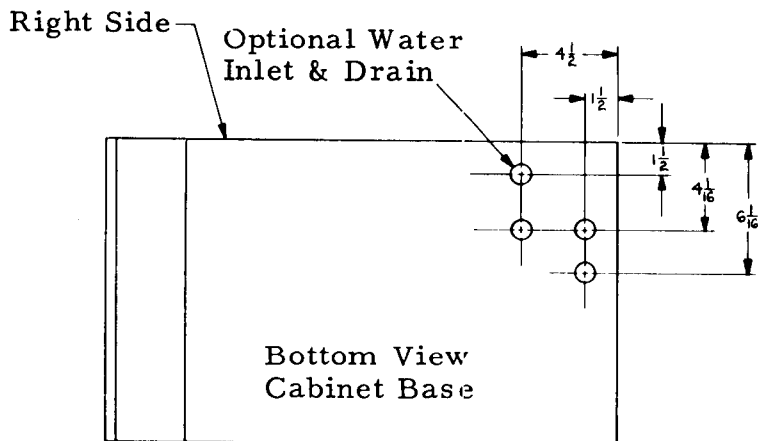
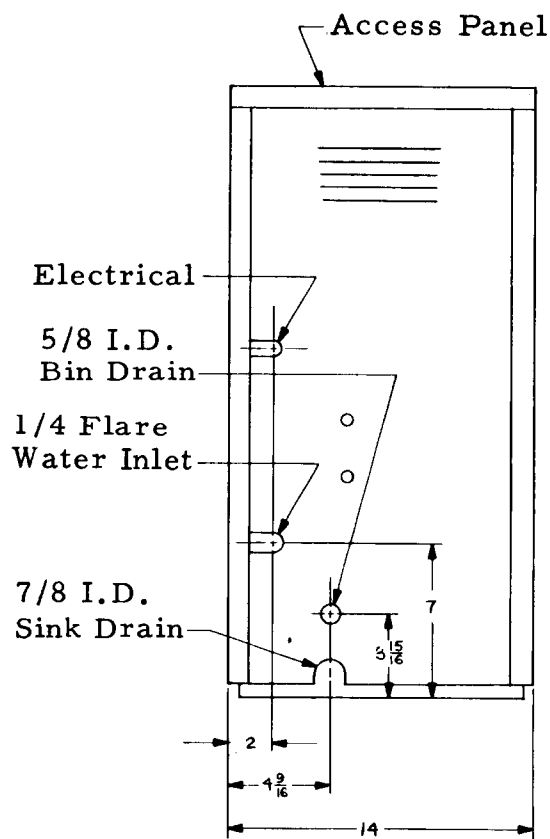
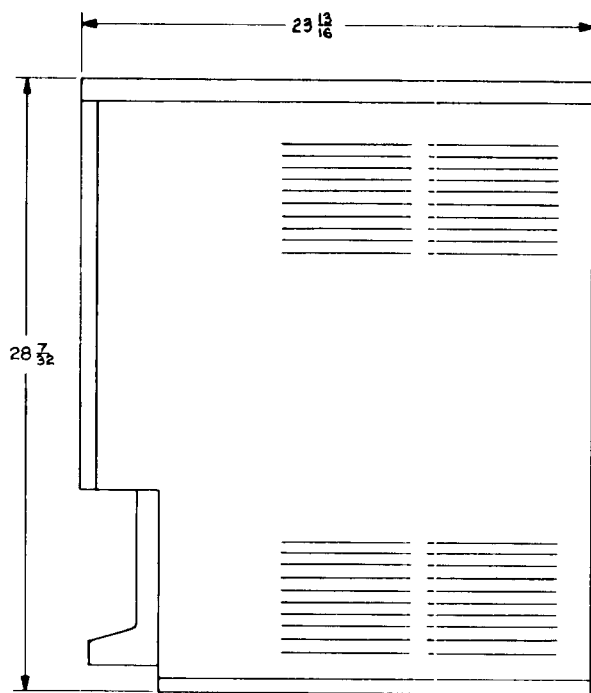


# SPECIFICATIONS

## ACD-75J SERIES ICEMAKER-DISPENSER

### CABINET

- Height-----28.2 inches
- Depth-----23.8 inches
- Width-----14 inches
- Weight-----150 pounds
- Finish-----Baked-On Enamel or stainless steel
- Trim-----Aluminum, anodized
- Sink & Drain-----Plastic



## SPECIFICATIONS

### REFRIGERATION UNIT

Compressor-----Tecumseh  
1/5 H.P.  
2 pole  
115 v. 60 cylce  
Freezer-----SF-75 Modified  
Refrigerant-----R-12--10 oz. charge  
Ice Produced-----.04 oz. sec. (70° ambient  
(approximate) 70° water)

### DISPENSING UNIT

Bin & Dispensing  
Cylinder-----Stainless Steel  
Insulation-----1 inch Urethane  
Storage Capacity-----8.19 pounds  
Ice Spout-----Composition (rubber)  
Drive Motor -----86.5 watt  
115 v. 60 cycle  
R.P.M. 26.7  
Dispensing Rate -----.8 oz. sec.  
(approximate)

### PERFORMANCE DATA

Metered Ice-per vend---1 or 2 oz.  
Time per vend-----1.5 sec.  
1 vend /31 sec.-----Recovery = Discharge  
Water with minimum  
ice-----1.0 oz. ice water  
Water with maximum  
ice-----2.0 oz. ice water  
Dispensing time (ice &  
water for 10 oz.  
glass)-----4.5 sec.  
Continuous ice flow----1 pound in 20.8 sec.

## GENERAL DESCRIPTION

This unit is a counter or table-top type of dispenser with a self-contained refrigeration unit, flaked ice freezer, storage bin and automatic dispensing mechanism.

The primary purpose of this machine is to fill water or drink glasses with water and ice or just ice by actuating a control arm with the glass.

Approximately one or two ounces or a continuous flow of ice can be obtained by properly adjusting a selector switch. By pushing a water switch to "on" water will be dispensed with the ice or as long as the glass actuator arm is energized.

The sink or area in which the ice is dispensed is constructed of plastic as is the drain grate in the sink. The cabinet is of steel with baked-on enamel or stainless steel. Water lines within the cabinet are of copper or nylon and drain lines are Tygon (Plastic) tubing.

The complete machine has been designed with sanitation and ease of cleaning emphasized. The storage bin is sealed and the ice spout is automatically closed when ice is not being dispensed. The complete dispensing unit can be dismantled for cleaning without the need of tools. By removing two winged screws the cabinet top can be removed. Three winged bolts on the storage bin cover may be loosened and the cover can be lifted off. This exposes the entire dispensing mechanism which can be lifted out of the storage bin.

The base of the machine contains a sealing gasket which will seal the machine tight against the table or counter top thereby eliminating the possibility of dirt or bugs lodging under the base.

The top, back, front, sink or either side of the cabinet can be removed in a matter of minutes.

To clean the condenser or for access to the control box, the left side panel is removed.



## GENERAL INFORMATION

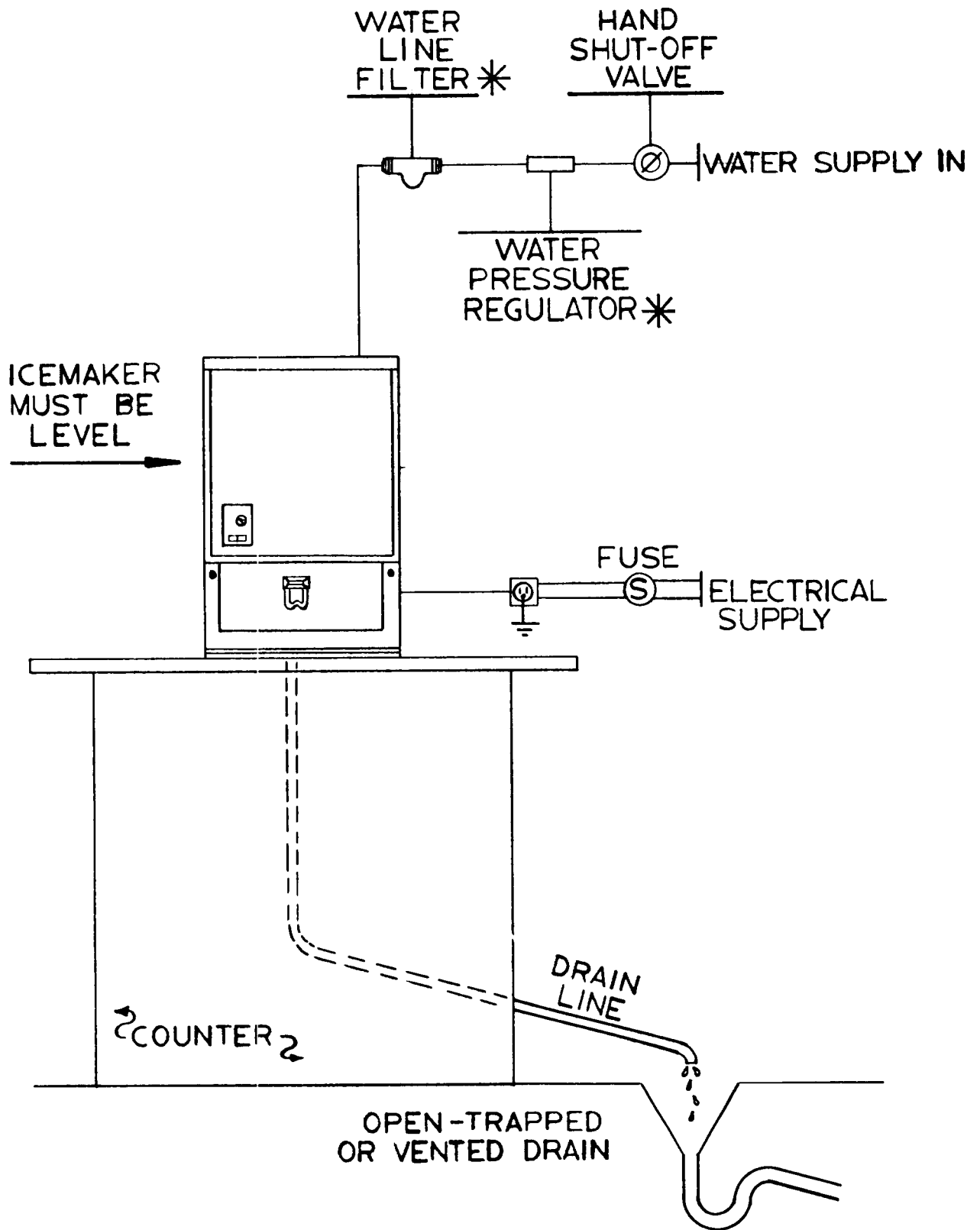
1. The machine comes to you ready to operate except for water, electrical power and drain connections.
2. The attached information on adjustments should not be needed except in rare instances.
3. An interlock switch, located on the top frame, is held in an "on" position when the cabinet top cover is in place. When the cover is removed the power to the machine is automatically disconnected for cleaning. For electrical service the main power supply should be disconnected.
4. The unit should not be connected to a heavily fused supply line. Maximum fusing should be not more than 15 amperes. It is advisable to use a fustat, fusatron or delay type of fuse.
5. All parts of the unit can be washed with mild soap and water. This includes the stainless steel and paint parts. Care must be exercised in handling the cleaning of the various stainless steel pieces as these parts have a tendency to be more sharp at the edges than painted parts.
6. Because of the various electrical controls and wiring care must be used in grounding this cabinet and frame work to a solid cold water line or similar ground.
7. The ACD1 and ACD-75 are identical in outward appearance with the case assembly on. For identification purposes a decal is placed on the back panel. When a screw head appears in the upper hole it identifies the ACD-75 and in the lower hole the ACD-1.

## INSTALLATION INSTRUCTIONS

1. Remove the unit from the carton and install on a table or counter with a flat, level, rigid top. Mount at a convenient height for filling glasses.
2. Avoid sliding the unit on the rubber sealing base.
3. Remove the top of the cabinet and the rear panel. Remove packing from float chamber.
4. Pull the drain from the cabinet. They may be routed through the rear panel through the hole provided in the base. It is possible to route all lines through holes which have been provided in the base.
5. The lower drain from the sink area must never be installed higher than the base of the cabinet. Consideration should be made in regard to this drain in order to get proper flow from the sink drain.
6. Water should be supplied from a 3/8" copper or equivalent pipe. Too small a water supply line will only result in an increase in time for filling glasses with water.
7. Connect power to terminal strip in junction box, Item 12 on Page 26.
8. The interlock switch located at the top of the cabinet frame will be in an "ON" position when the cover is on the cabinet.
9. Replace the rear panel and the cabinet cover. The switch is used only when the machine is opened for cleaning. At such a time both the unit and dispenser are disconnected by removing the cover.
10. Thirty minutes after the unit has been started, ice can be dispensed.

NOTE: Should this unit be improperly installed with the drain favoring front of the machine, a condition would result in slushy, wet ice as the meltage water would remain in the bottom of the storage bin, and may run out the discharge spout.

INSTALLATION PRACTICE



\* REGULATOR AND FILTER ARE ACCESSORY ITEMS  
TO BE INSTALLED AS CONDITIONS WARRANT

**Electrical:**

Standard electricals are 115 volts, 60 cycle single phase current. Use #12 gauge wire, either in three wire cords rubber covered or thermoplastic types that incorporate ground wire as the third wire. This unit must have a solid ground wire.

Major electrical components	H.P. Size	Amps.
1. Refrigerant Compressor	1/5	3.6
2. Freezer Gearmotor	1/15	2.2
3. Dispensing Drum Motor	1/25	2.35
Total		<u>10.15</u>

15 amp fuse protection is required, preferable a delay type such as Fustat, Fusetron etc. All external wiring should conform to National Underwriters, as well as State and local codes. The maximum allowable voltage variation must not exceed 10 per cent of unit nameplate ratings, even under starting conditions.

Knockouts in cabinet are made for cord connectors, supply line ties into terminal board of control box. See item #12 on page 26. Use separate circuit for icemaker only.

**Water Supply:**

A single cold water supply line is required. Recommended tubing size 3/8" O.D. or larger, cabinet connection is to a 1/4" S.A.E. flare tee (item #13 on page 26) on internal cabinet bulkhead. A water strainer with clean out feature should be installed in supply line along with a hand shut off valve.

Minimum water pressure is 20 pounds gauge, maximum pressure over 50# pound gauge may cause chattering of float ball in reservoir tank. For pressures in excess of 50 pounds, use a water pressure regulator in line. Cabinet back is slotted for supply line entrance.

**Water and Condensate Drains:**

Two soft drains (plastic tubing) are provided, see page 26. The upper drain is 5/8" I.D. tubing, the lower drain is 7/8" I.D. tubing. Drain lines should be run to an open, trapped or vented drain in accordance with your State and local code regulations. These are gravity drains, therefore maintain at least a 1/4" pitch per foot away from unit drains. Knockouts are provided for either out the back or thru the base drain.

**Refrigerant System:**

The standard Scotsman Flaker system is used in slightly modified form. Refrigerant 12 is pumped by compressor into the air cooled condenser, into the liquid line, thru a filter-drier and then into the capillary refrigerant control line.

Liquid refrigerant is then carried down to the bottom end of the shell and tube type evaporator (freezing cylinder) where it expands and rises to the top of evaporator. Here the vapors and gases are returned thru an accumulator and suction line to the compressor.

Average operating head pressure is 135# gauge, operating back pressure is 14# gauge.

Factory charge is 10 ounces of Refrigerant 12.

Compressor is 1/5 horsepower, 2 pole, 3500 RPM by Tecumseh. Proper model number is Tecumseh AE59ZF9-46.

## ICE DISPENSER CONTROL SYSTEM

The inner storage bin rotates, carrying the ice over a cutting edge located at the ice discharge spout. The ice is thereby cut off the bottom of the stored mass and falls down the spout.

When the selector switch is set at 1 oz. of ice, the dispensing bin will rotate 1/2 turn for each vend. When the selector switch is set at 2 oz. of ice, the dispensing bin will rotate one full turn.

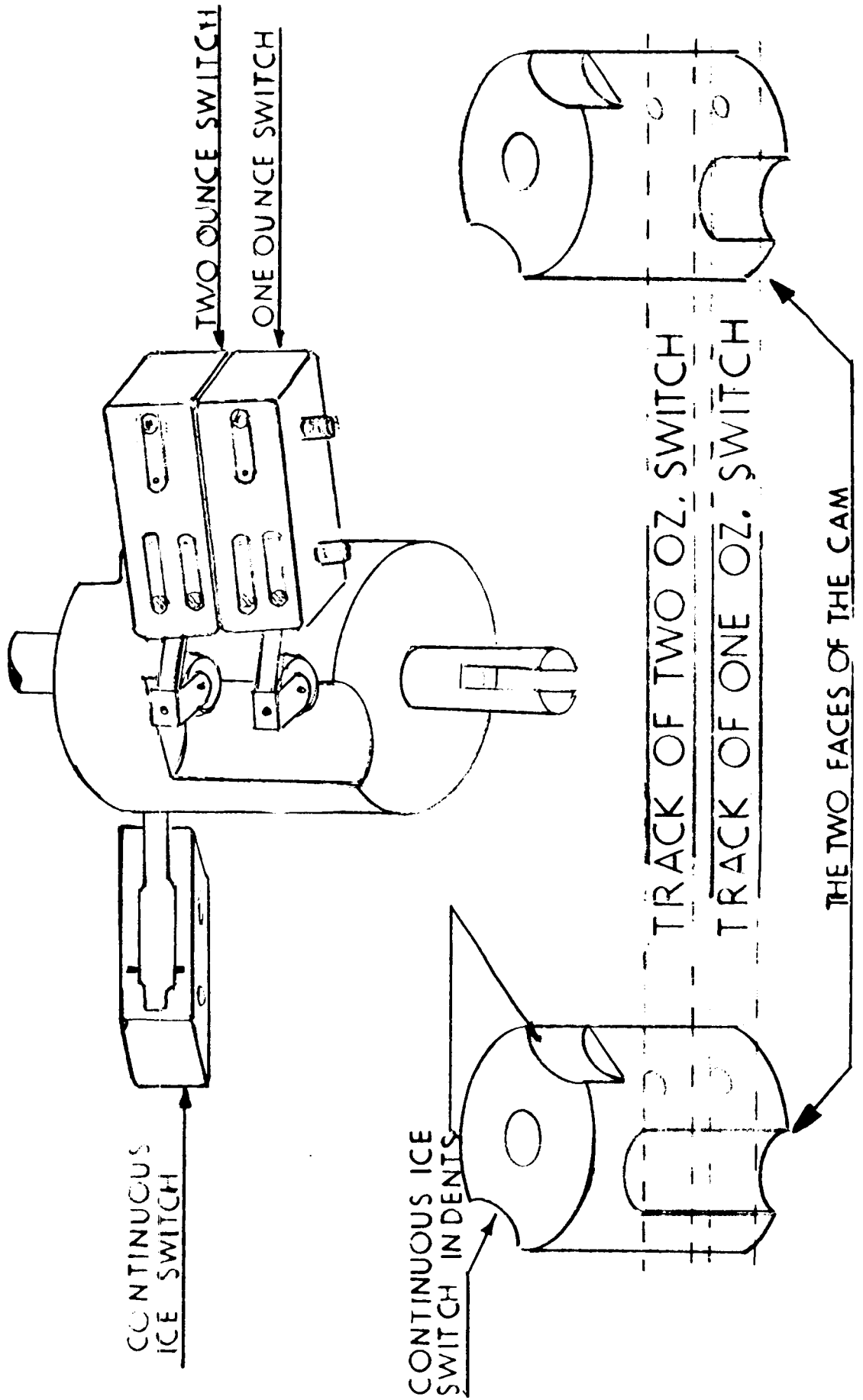
The action is controlled by two switches mounted together and their rollers riding on a cam. They are located on the bin cover and under the drive motor bracket, see page 19. The cam has one depression for the top switch roller to fall into and two for the bottom switch roller. The top switch controls the 2 oz. vend in which the bin rotates one full turn to actuate the switch. The lower switch controls the 1 oz. vend for 1/2 a turn of the bin.

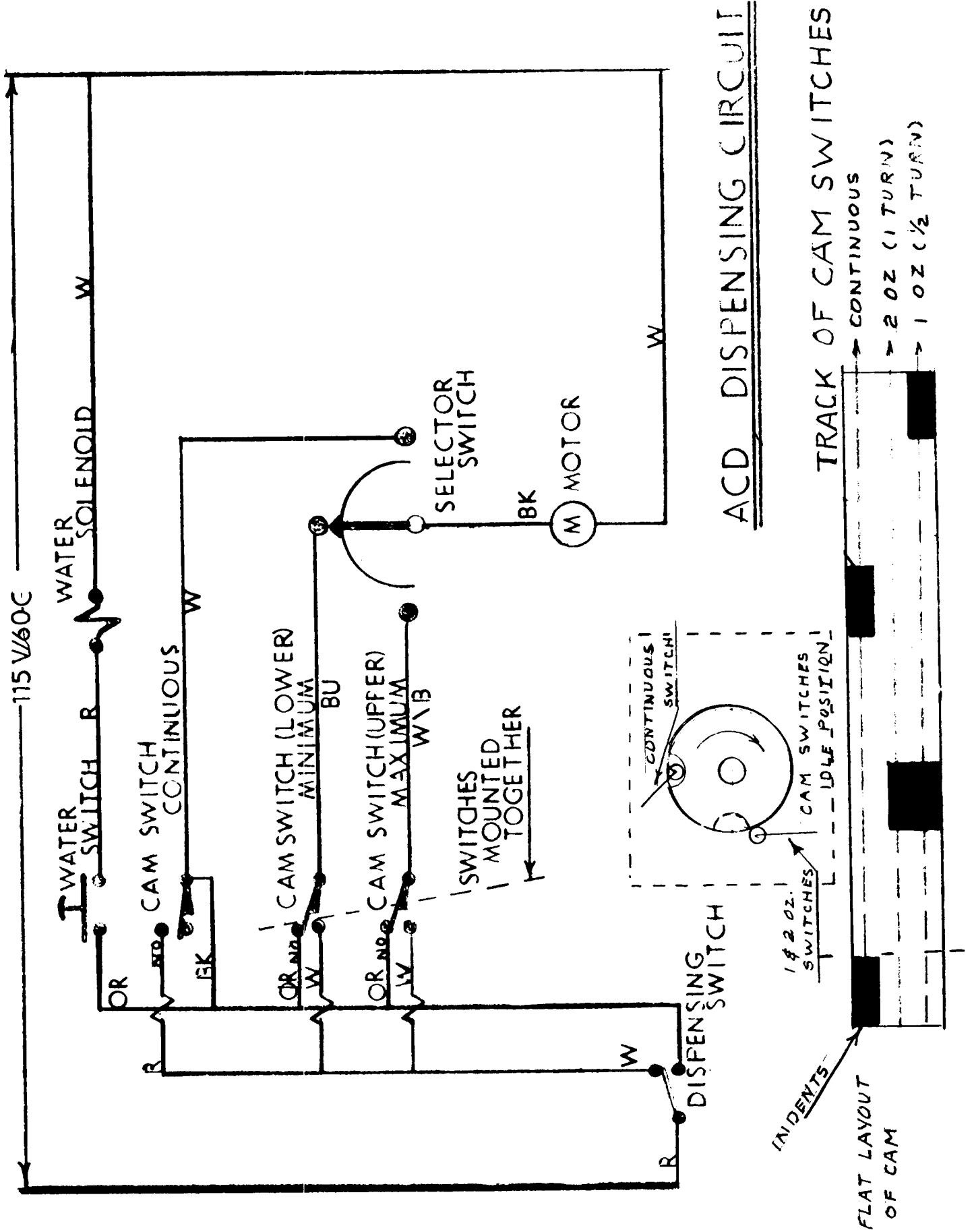
At the end of each vend it is necessary that the dispensing bin stop in the correct position. It must stop at such a time as the spout shutter, item #6 page 17, which rotates with the bin, is directly over the spout. It is also at this time that one of the fins in the rotating bin is in the center and directly under the flaker freezer spout. When this timing is correct, ice that is filling the bin from the freezer will fall in both compartments of the bin; that is, on both sides of the fins. Also, by this timing the ice discharge spout is closed which not only tends to keep dirt from entering the bin, but also sheds meltage from the bin away from the discharge spout.

The selector switch also has a continuous flow position in which ice will continue to vend as long as the control arm is held in. When released the top switch on the cam will position the shutter over the spout.

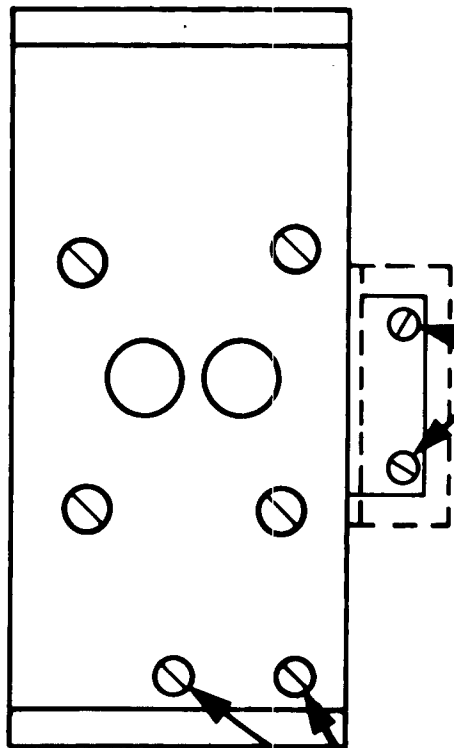
When the water switch is in an "ON" position, water will be dispensed with the ice. Water will always continue to flow as long as the actuating arm is held "IN". See page 14 for a simplified circuitry showing the operation of these switches.

# CONTROL SWITCHES & CAM



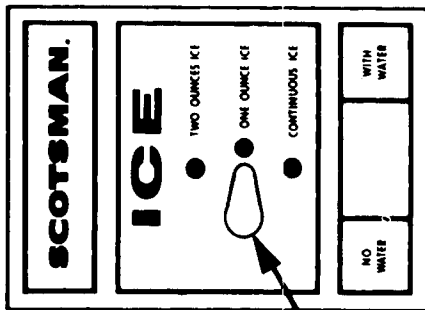


INSTRUCTIONS FOR SETTING CAM SWITCHES WHEN DISPENSER WILL NOT STOP OR WILL NOT DISPENSE PROPERLY. (DO NOT ADJUST CAM SWITCHES UNTIL YOU ARE SURE DISPENSER MECHANISM RUNS FREELY.)



**CONTINUOUS ICE SETTING INSTRUCTIONS:**

1. Set selector switch to continuous ice.
2. Turn master switch on by pressing white button down,
3. Loosen two screws slightly.
4. Push screws forward slowly until dispenser motor runs continuously.
5. Pull screws back until motor stops.
6. Hold position and tighten screws snugly.



**1 oz. & 2 oz. ICE SWITCH SETTING INSTRUCTIONS:**

1. Set selector switch to 1 oz. or 2 oz. ice.
2. Remove cam switch cover.
3. Turn master switch on by pressing white button down.
4. Loosen two screws slightly.
5. Pull back on screws until dispenser motor runs continuously.
6. Push screws forward slowly until dispenser motor stops and then push 1/32 to 1/16 further.
7. Hold position and tighten screws snugly.



## SHUTTER AND BIN ASSEMBLY AND ADJUSTMENT

1. Assemble the shutter in the bin and place the tapered bottom over the shutter. The opening in this bottom (see drawing page 17) is placed over the discharge spout area. Pins in the bottom of the outer bin protrude through slots in the side of this bottom which thereby locks and holds it in place. The rotating dispensing bin is then set over this bottom.
2. Mount the cover on the bin being careful that the slots in the drive shaft are over the pin in the shaft of the dispensing bin. Bolt the cover down lightly with the three winged nuts. (Never Tight).
3. The shutter must be directly over the rubber discharge spout when the dispenser stops. The dispensing bin is timed, by construction, with the shutter in that the fins of the bin are directly under the freezer spout when the shutter is in proper stopped position. Consequently both sides of the bin will fill with ice.

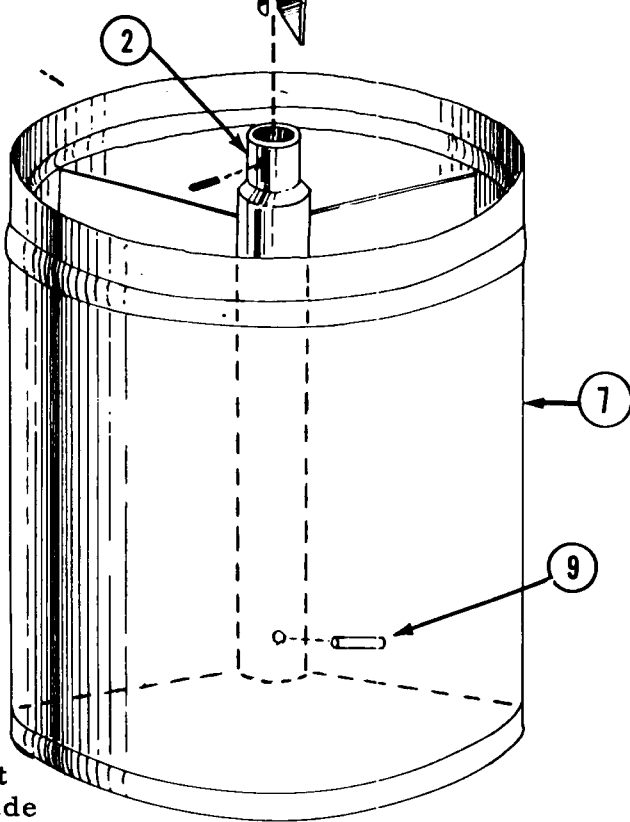
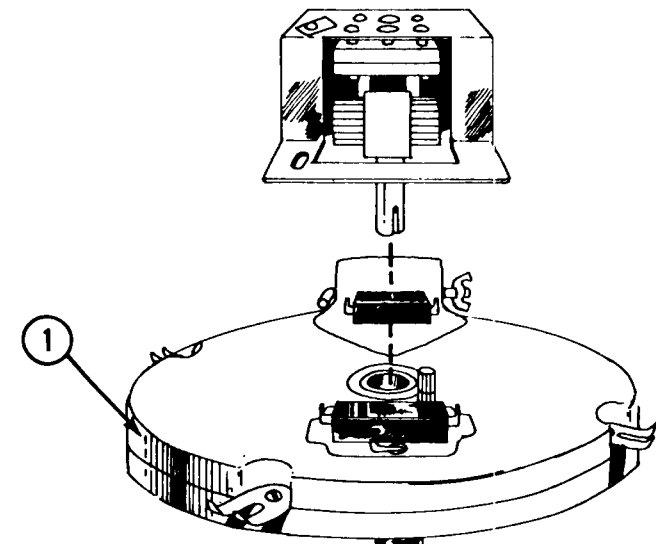
### The Adjustment

1. If shutter does not close the ice spout opening when the dispenser motor stops be sure the cam switches are adjusted as per page 15.
2. To adjust shutter remove the bin cover and turn upside down.
3. Turn the motor until the roller of the continuous ice cam switch (the singularly mounted switch) is down in the slot of the cam. This is illustrated in the sketch of the cam and switches on page 14.
4. In this position the slot of the motor drive shaft should be in line with the plunger of the spout switch.
5. To adjust, loosen the two set screws #11 of cam (see section AA - page 19). Hold cam as described in above paragraph 3 and turn motor until drive shaft slot is correctly in line with spout switch plunger.
6. Tighten set screws in cam. (Do not over tighten or the plastic cam may split).
7. Rotate the motor - check the vertical position of the cam. Switch rollers must fall in the correct cam slots as indicated on page 14.
8. Hold master switch down and vend several times. Each time the dispensing motor stops the slot in the end of the drive shaft should line up with the plunger of the spout switch.
9. Place cover on storage bin. Press down on vend switch until slot in drive shaft falls over pin in rotating bin.
10. Turn down thumb screws on cover slightly (never tight).
11. Actuate the dispenser several times. Check the shutter through the rubber discharge spout. It must close discharge spout at the end of each dispense.

STORAGE BIN and  
DISPENSING ASSEMBLY

Item No.	Part No.	Name
----------	----------	------

- |    |           |                    |
|----|-----------|--------------------|
| 1. | A16098    | Bin Cover only     |
| 2. | A20912    | Drive Pin - Top    |
| 3. | A16005    | Tie Bolt Bracket   |
| 4. | A21485    | Outer Bin          |
| 5. | 3-255     | Wing Nut           |
| 6. | A15965    | Shutter Assembly   |
| 7. | A16309    | Storage Bin        |
| 8. | A16129    | Bin Bottom         |
| 9. | A-20912-1 | Drive Pin - Bottom |



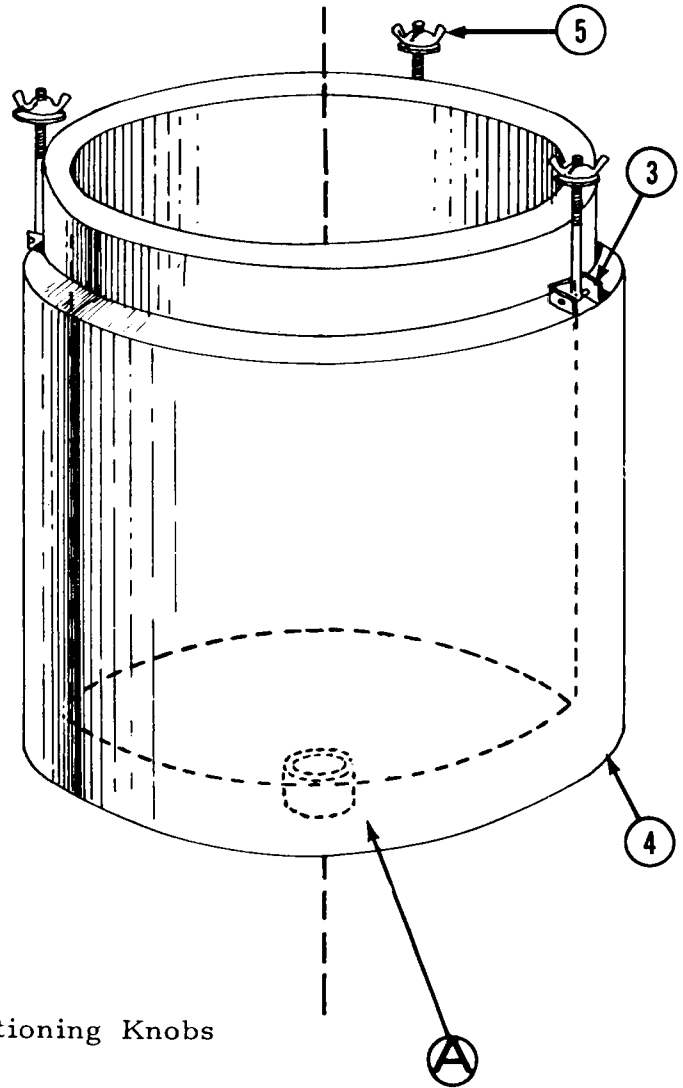
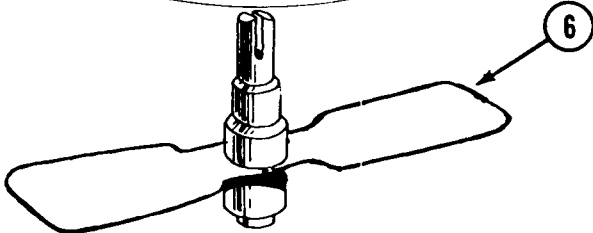
Ice Cut  
off Blade

A

Locking  
Slots

Positioning Knobs

6



Position Ice Cutoff Blade  
Over Spout Opening When  
Assembling.

## BIN CONTROLS

There are two controls located on the underside of the cover that govern the amount of ice that is in the bin. One control, that over the spout of the freezer, turns the freezer off when the bin is full of ice. This control must be in a position as illustrated in drawing page 19, Section B-B. The second control (see Section C-C page 19) hangs into the bin and holds the freezer off for a period of vends. This flipper slides upon the ice at the first ice vend and opens the switch contacts. It operates as a differential to keep the unit from starting and stopping at each vend and is a secondary means of stopping the unit should the spout switch fail.

Both of these controls can be easily removed for cleaning. The bin differential control has two fasteners securing it to the cover. They are tall round, knurled tubes which are unscrewed like a nut. Removing these two fasteners will drop the differential control from the cover.

The spout of the freezer has an extension that slides over the fixed spout. This removable extension has two small ears on the side. It is necessary when replacing the cover on the bin to slide this extension as far back on the freezer spout as possible. Be sure the small ears of the extension are on the outside of the cover. When the cover has been fitted over the bin and before it is bolted down, this extension should be slid toward the cover until the ears rest against it.

Serious damage could result if the cover is not installed properly. The small flipper over the switch button in the ice spout of this cover must definitely be forward. Check section B-B, page 19 carefully before attempting to install the cover.

To further control the compressor and to avoid the freezing and stoppage of the auger in the freezer a control is incorporated on the gear motor drive for the freezer.

The bin controls do not energize the compressor but only the gear motor. In turn the gear motor operates the compressor.

A speed sensing switch mounted on top of the motor of the gear unit will stop the compressor when the RPM of the motor is less than 900. At 1200 RPM it will start the compressor.

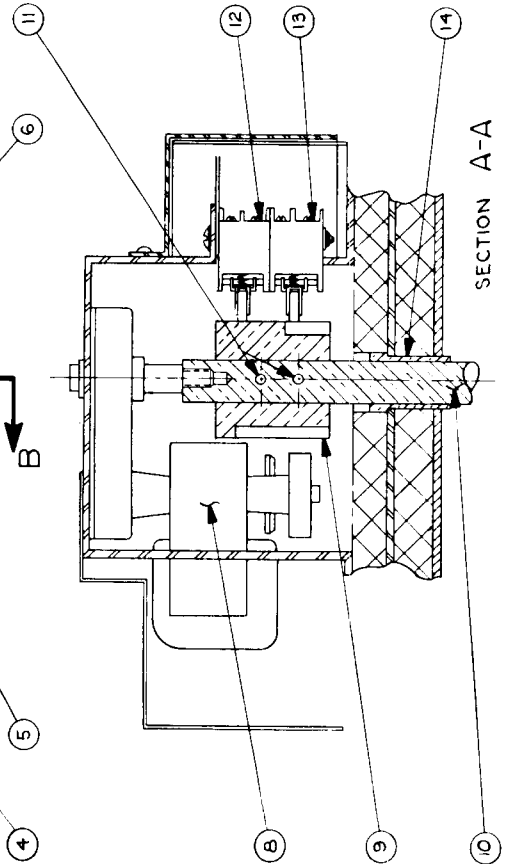
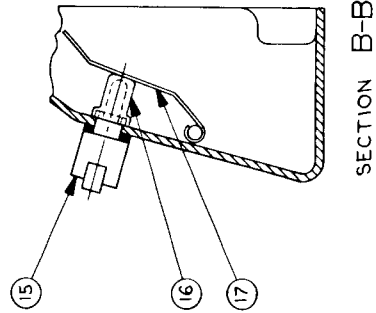
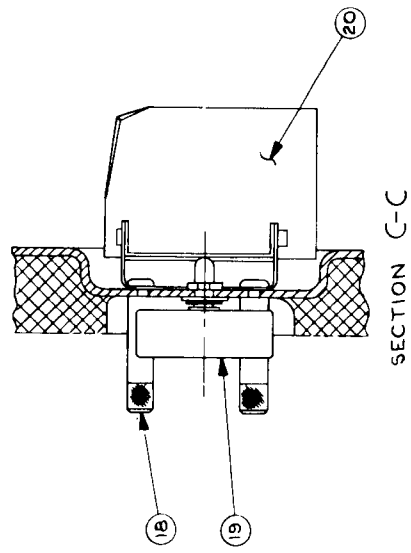
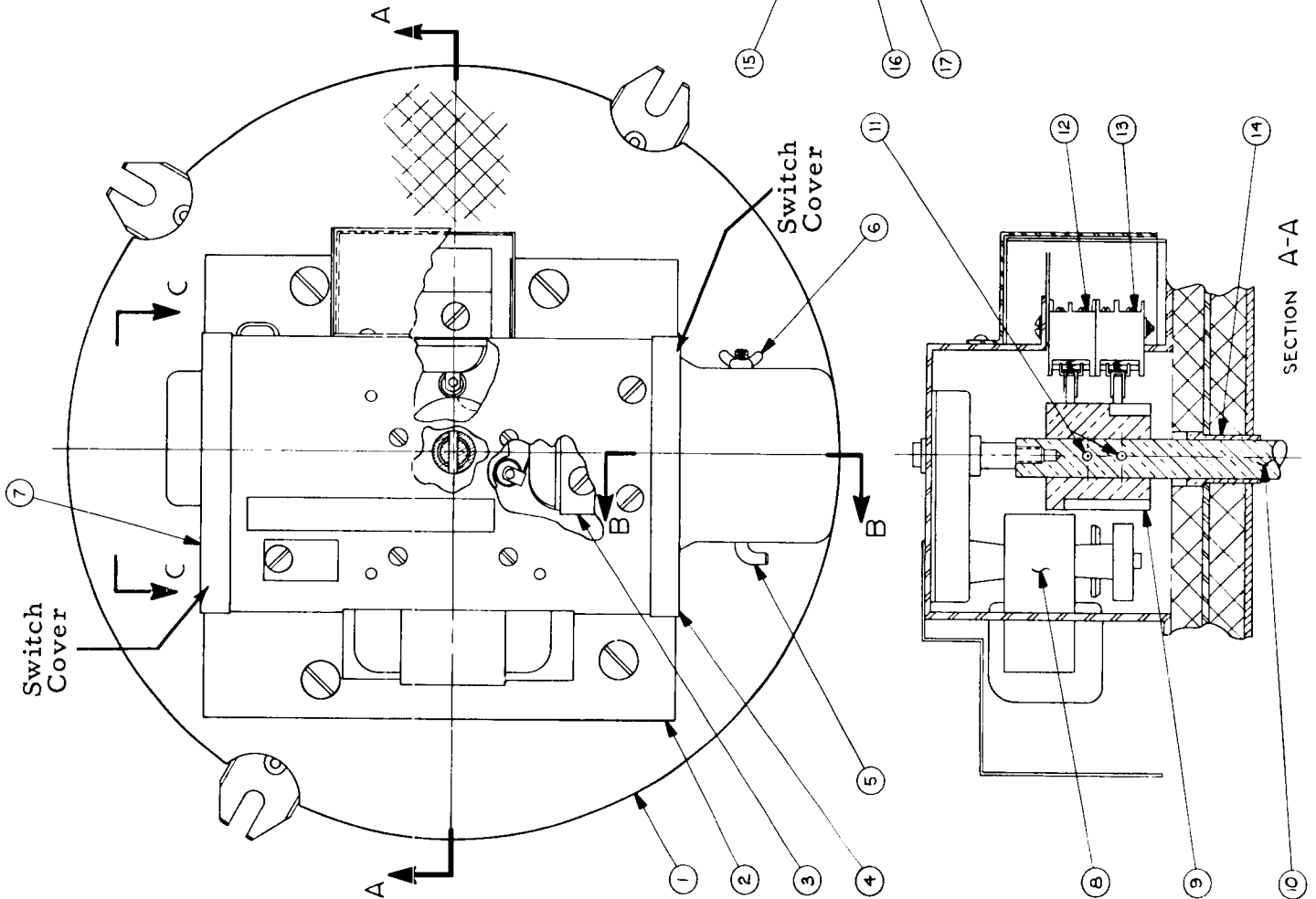
Should the auger begin to freeze the speed of the gear motor is reduced due to excessive load. At 900 RPM it opens the circuit to the compressor and thereby stopping the freezing. As the gear unit, only, continues to run it will clear the auger and when the motor speed reaches 1200 RPM, the compressor is turned on.

Any freeze ups are thereby automatically cleared by the unit.

If the water should be shut off when the unit is running the inlet water line will freeze shut. The control mentioned above will have no control over such a situation.

# STORAGE BIN TOP ASSEMBLY

1. A21215-2 Storage Bin Top Assembly
2. A16084 Motor Mount
3. 12-876 Positioning Switch (Continuous ice)
4. A16498 Switch Cover
5. A16104 Hinge Pin
6. 3-1229 Wing Nut
7. A16499 Switch Cover
8. 12-1610-1 Dispenser Drive Motor
9. 2-1576 Cam
10. A21207 Drive Shaft
11. 3-387 Set Screws
12. 12-876 Cam Switch (two ounces ice)
13. 12-876 Cam Switch (one ounce ice)
14. A16101 Cover Bushing
15. 12-1018-1 Spout Switch
16. 12-1643 Boot & Bushing
17. A16010 Ice Control Lever
18. A16495 Differential Bracket Nut
19. 12-1018-1 Differential Switch
20. A-19269 Differential Paddle



## ACD-75 DISPENSER CONTROL SYSTEM

The control system, for the dispenser only, consists of six switches.

The terminology and function of these switches are as follows:

### Dispensing Switch:

1. Located in the sink area on firewall back of the sink. It is accessible by removing the right side panel.
2. When depressed, usually by a water glass, it actuates the dispensing mechanism.
3. It is a double pole, double throw leaf type snap switch.

### Selector Switch:

1. Located on the frame back of the front panel. It is accessible by removing the front panel.
2. By its setting it determines if one or two ounces of ice will be dispensed. Or in the continuous setting the dispenser is operated as long as the dispensing switch is held "IN".
3. This is a three position, 30 degree throw rotary switch.

### Continuous Cam Switch:

1. This is the single top switch riding on the upper edge of the cam.
2. This is actually a locating switch that will always stop the dispensing mechanism when the shutter is covering the dispensing opening. When the selector switch is set for "continuous" ice, the dispenser operates as long as the dispensing switch is held in. When this dispensing switch is released, the continuous cam switch will hold the circuit on until the shutter is over the discharge spout or opening.
3. This switch is a single pole double throw roller type switch. Only two terminals, the common and normally open, are used.

### Maximum 1 or 2 oz. Cam Switch:

1. This switch is the top switch of the two cam switches that are mounted together. It rides on the center of the cam.
2. When the selector switch is set at 2 oz. this will control the dispensing drum to one full turn.
3. It is a single pole double throw roller type micro switch.

Minimum or 1 oz. Cam Switch:

1. This is the lower switch of the two cam switches that are mounted together. It rides on the lower edge of the cam.
2. When the selector switch is set at one ounce it will control the dispensing drum to 1/2 turn.
3. This switch is a single pole double throw roller type micro switch.

Water Switch:

1. Located on the front panel.
2. When in an "ON" position, it energizes a water solenoid to dispense water with ice.
3. This is a rocker type single pole single throw switch.

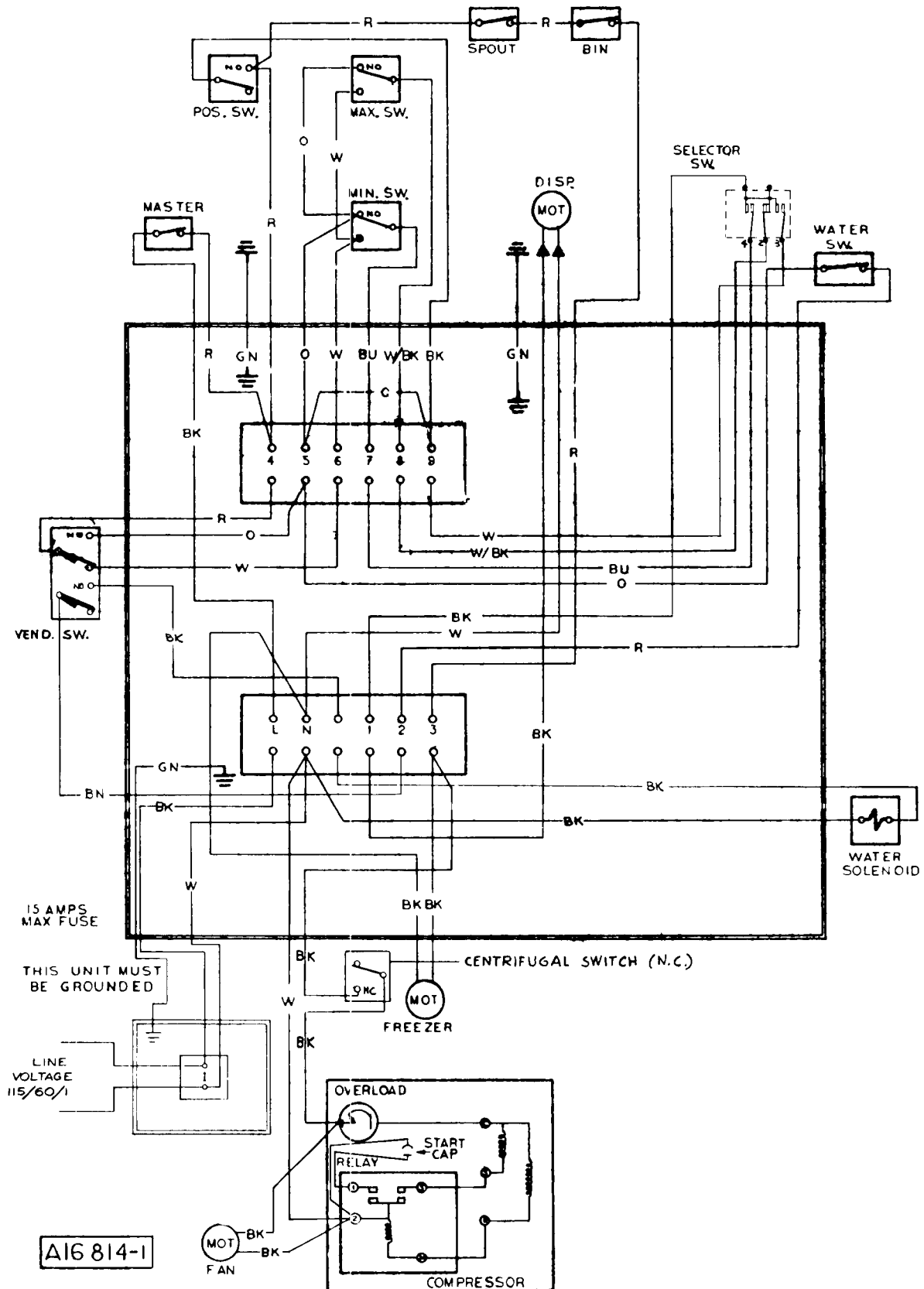
Besides the two flaker control switches covered in the information on this unit, there is a master switch.

This switch is located on the top frame and is a plunger type single pole single throw switch. It is held in an "ON" position by the cabinet top. When top is removed the switch is in an open position.

# WIRING DIAGRAM

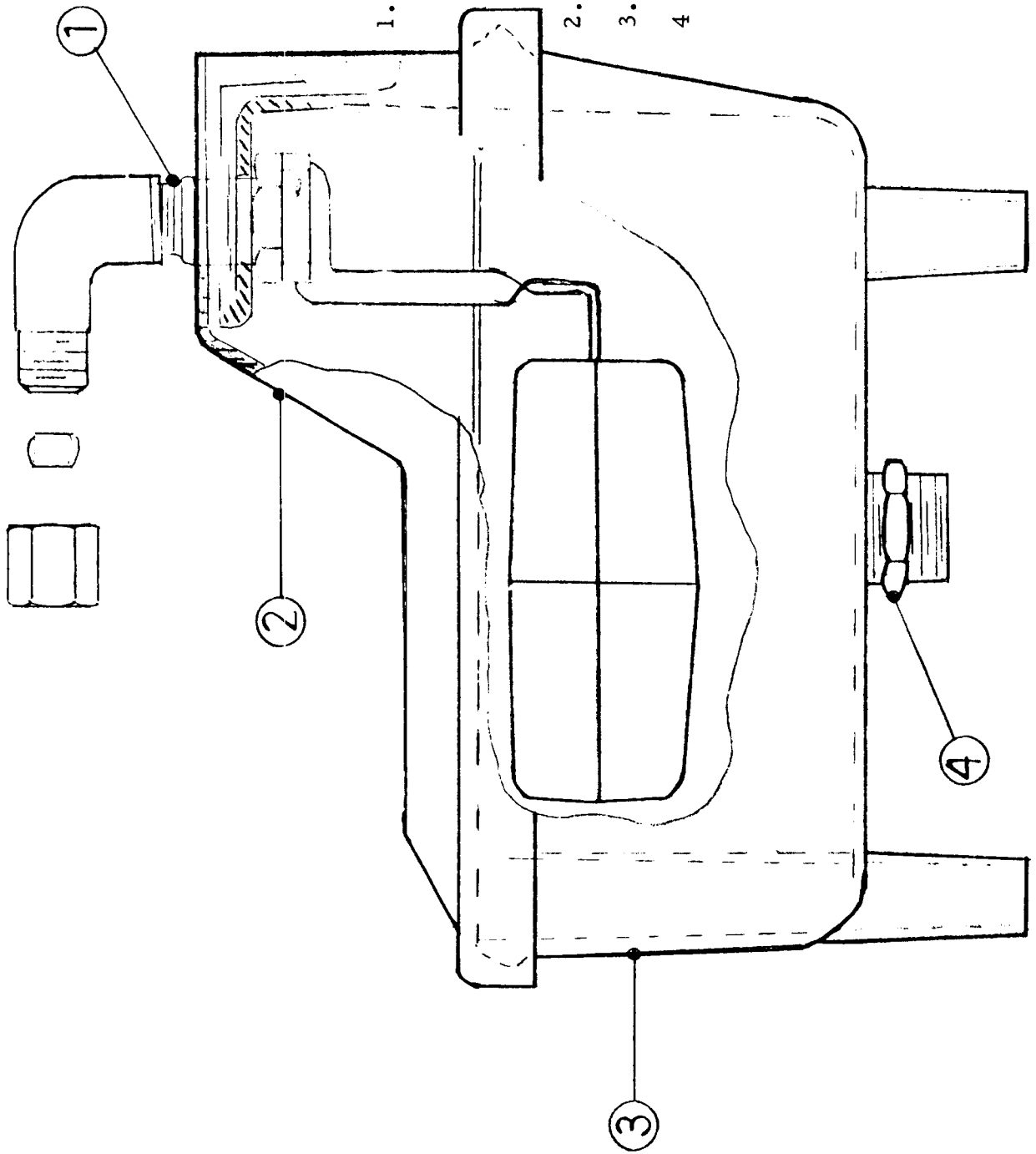
ACD-75J

115-60-1



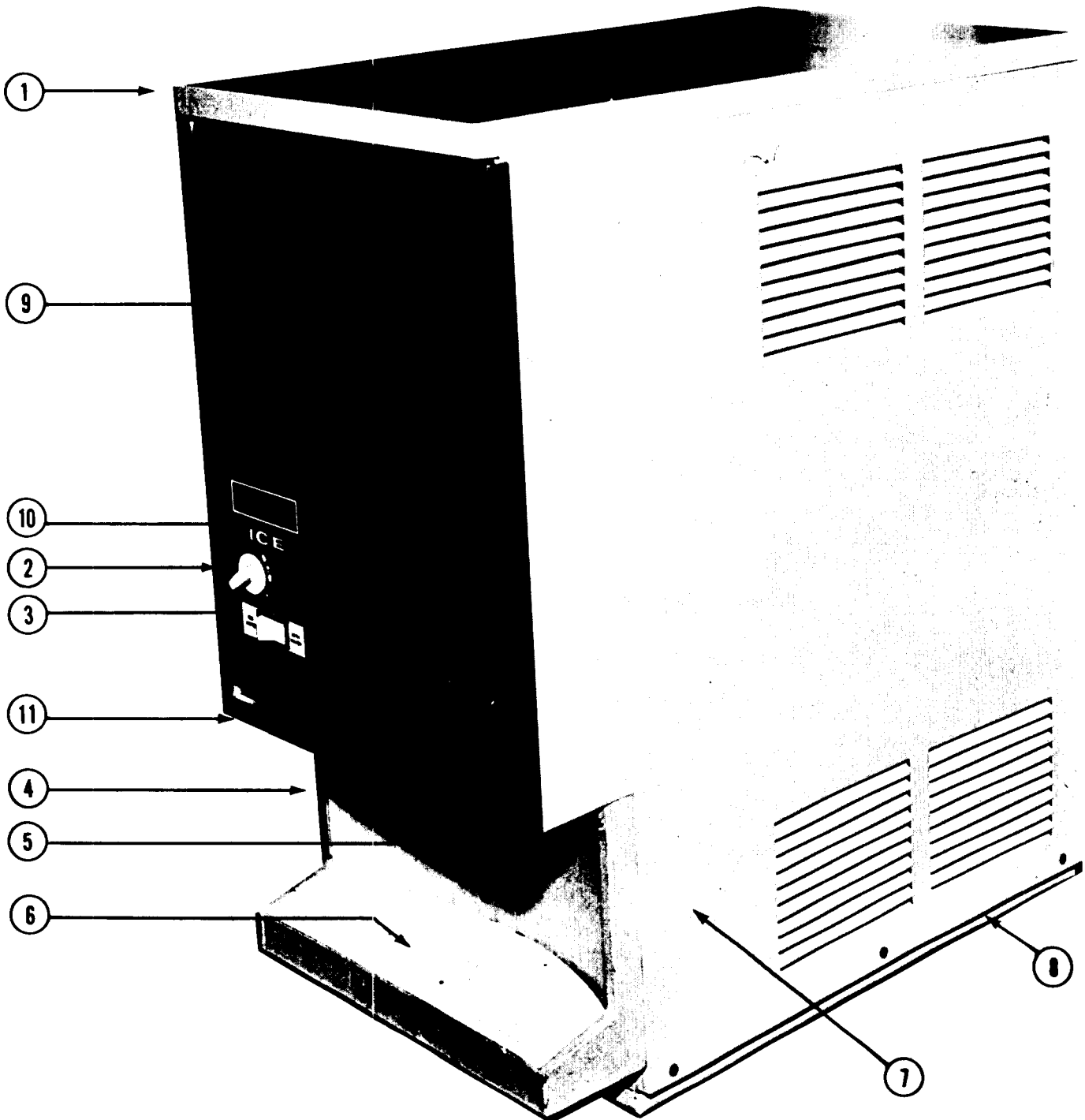
RESERVOIR ASSY. 2-1793-1

1. 2-1793-2 Valve Assembly consisting  
of:  
Inlet Ell  
Straight Compression nut  
Compression Sleeve  
Valve Assembly with Float
2. 2-1793-3 Reservoir Cover
3. 2-1793-4 Reservoir Body
4. 2-1793-5 Reservoir mounting nut  
3/8-18





CABINET ASSEMBLY  
ACD-75J Models

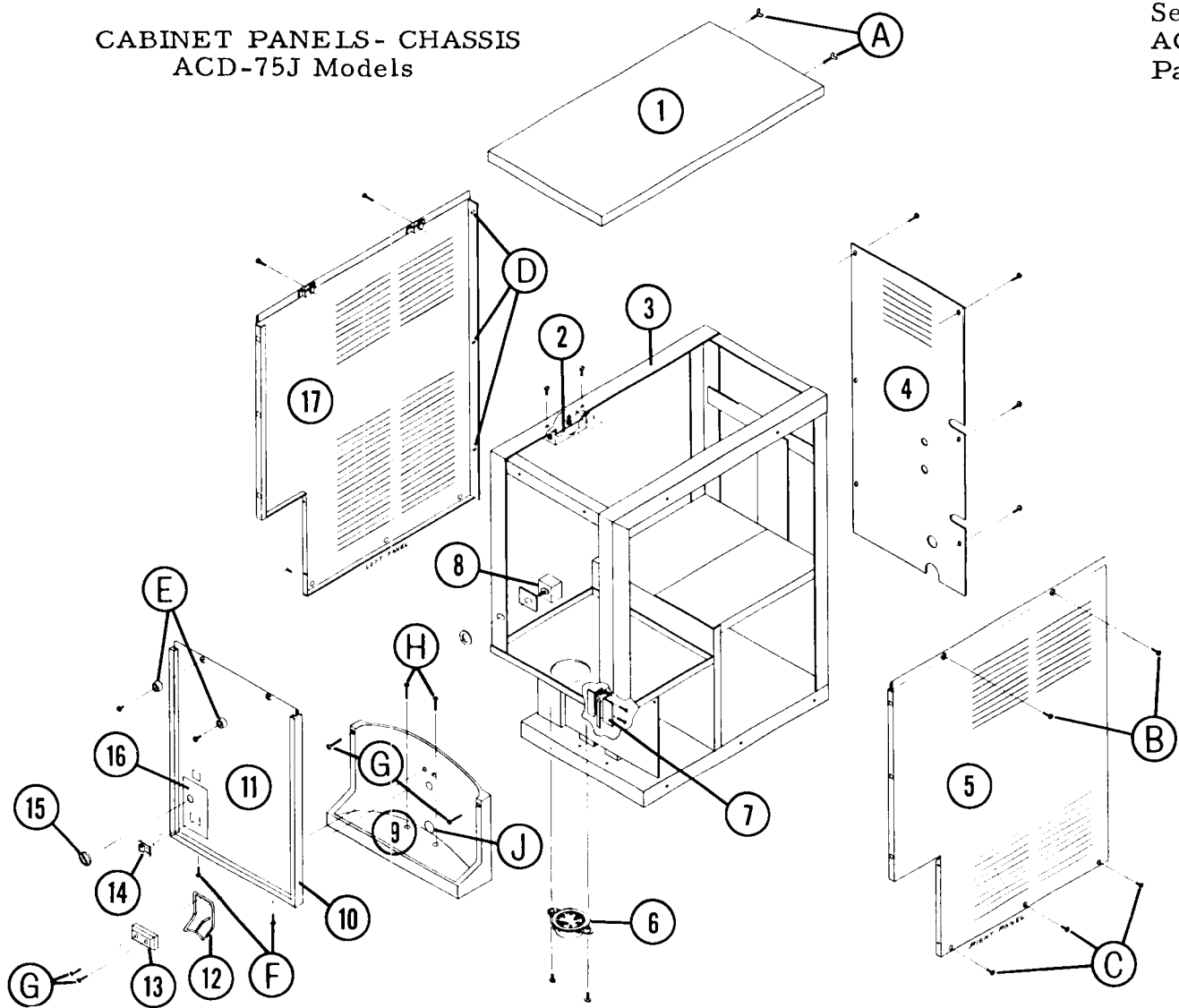


Item No.	Part No.	Name
* 1.	A-19104	Cabinet Top - Painted
	A-19104-1	Cabinet Top - Stainless Steel
2.	12-1540	Selector Switch
	12-1566	Selector Switch Knob
3.	12-1377	Water Switch
4.	2-1826	Sink
5.	A-21544	Glass Actuator Arm
	2-1833	Glass Actuator Arm Adapter (Holder)

Item No.	Part No.	Name
6.	2-1473	Drain Grate
7.	A-21416	Right Side Panel - Painted
	A-21416-1	Right Side Panel - Stainless Steel
8.	13-566	Base Moulding (Gasket)
9.	A-21424	Cabinet Front - Painted
	A-21424-1	Cabinet Front - Stainless Steel
10.	15-461	Emblem
11.	15-507	Aluminum Moulding (Trim)

\* Louvered cover - in extreme high ambient temperatures accessory louvered covers for improved ventilation are available - A-19104-2 Painted  
A-19104-3 Stainless Steel

CABINET PANELS- CHASSIS  
ACD-75J Models

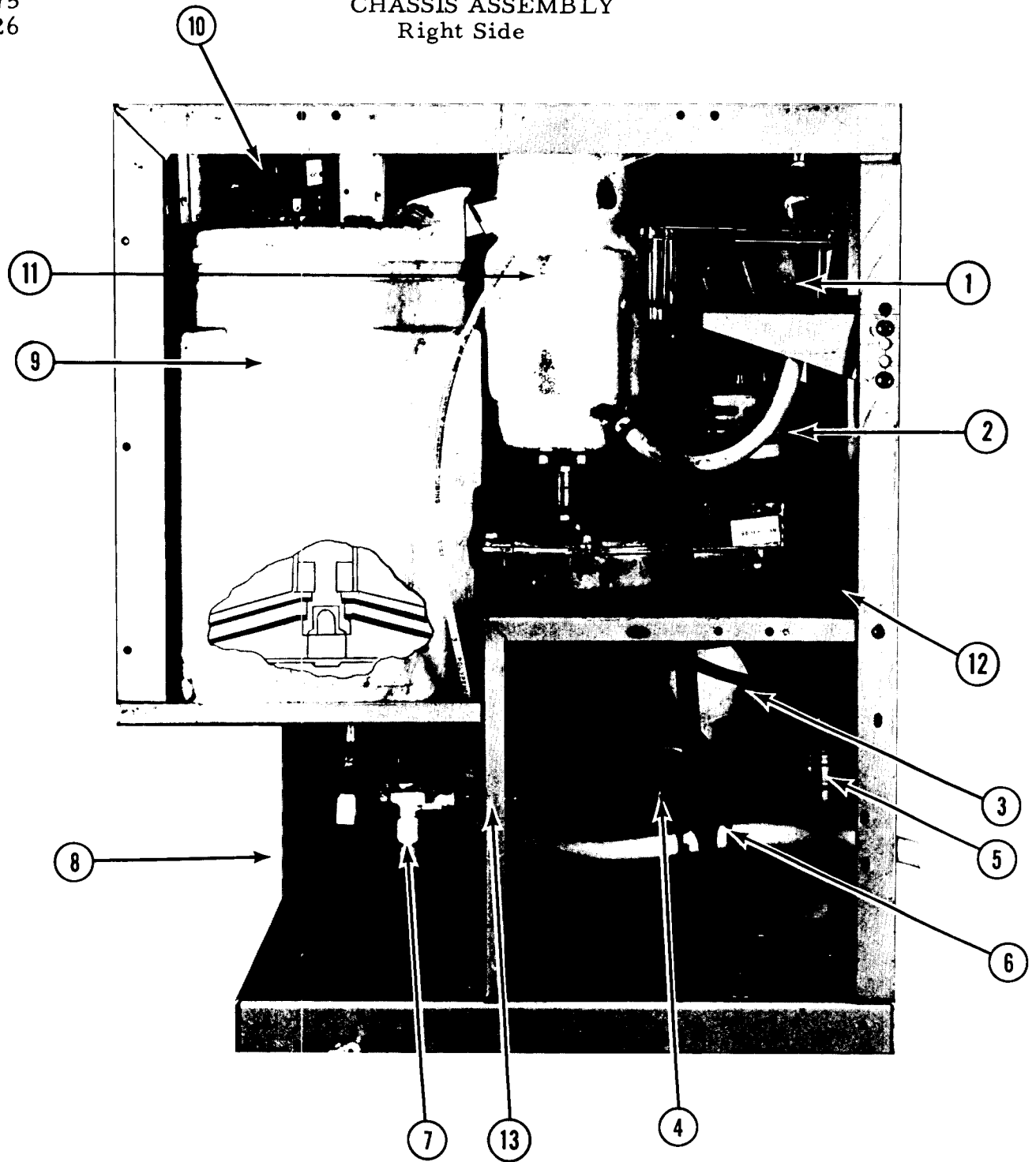


1.	A-19104	Cabinet Top	10.	15-507	Moulding Trim
2.	12-1570	Master (interlock) Switch	11.	A-21425	Cabinet Front
3.		Frame	12.	A-21544	Actuator Arm
4.	A-21405	Back Panel	13.	2-1833	Actuator Arm Adapter
5.	A-21416	Right Side Panel	14.	12-1377	Water Switch
6.	2-1804	Spout Extension	15.	12-1566	Switch Knob
7.	12-1641	Vend Switch	16.	15-461	Decal
8.	12-1540	Selector Switch	17.	A-21415	Left Side Panel
9.	2-1826	Sink			

REMOVING PANELS & SINK

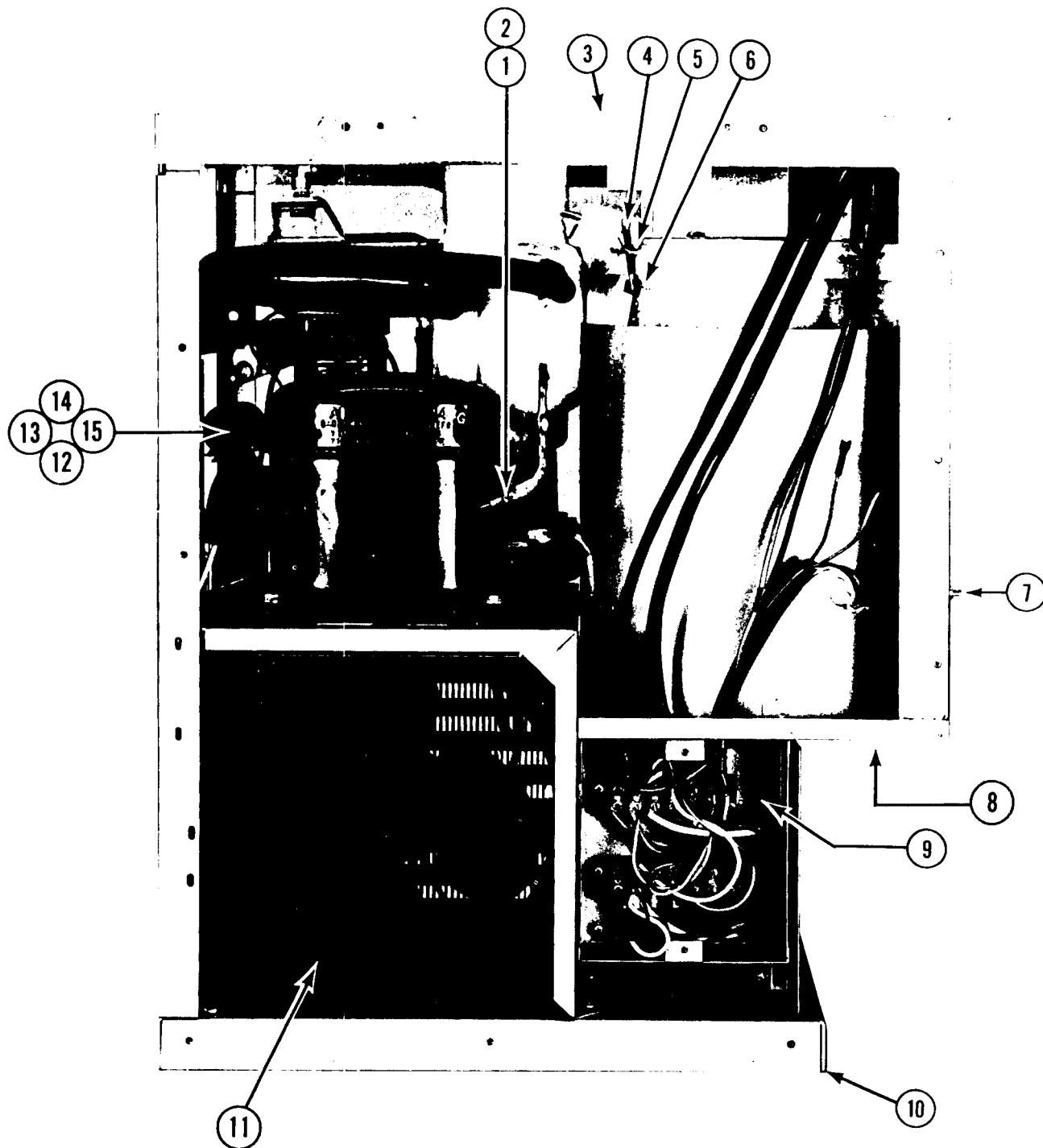
- To remove either side panel or front, first remove the two wing bolts in the back of cover #1, Item (A). Lift the back of the cover upward and push forward to release.
- Either side panel can be taken off by removing two screws across the top (B) and three across the bottom of the panel. (C) These are the only screws that hold the panel. Pull the panel from in back of sink, then slide backward about 1/2 inch. There are no screws in the back of the panel, only pins that slide into holes in the frame. (D) The front edge of the panel merely fits under the aluminum trim.
- The front panel is removed by unscrewing the two rubber bumpers at the top of the panel (E) and two screws under the sink top area. (F) The water switch (14) will snap out and the quick connects can be removed from the switch. The selector knob (15) just pulls off.
- The sink (9) can be removed by removing four screws (G) on the front side of the switch and two screws in the bottom of the sink. (H) These screws are sealed to eliminate water leaks. The drain tube connection (J) is fastened to the sink rear by a hose clamp. To remove the clamp, it is necessary to remove the right side panel.
- Remove top and left side panel to clean air cooled condenser.

CHASSIS ASSEMBLY  
Right Side

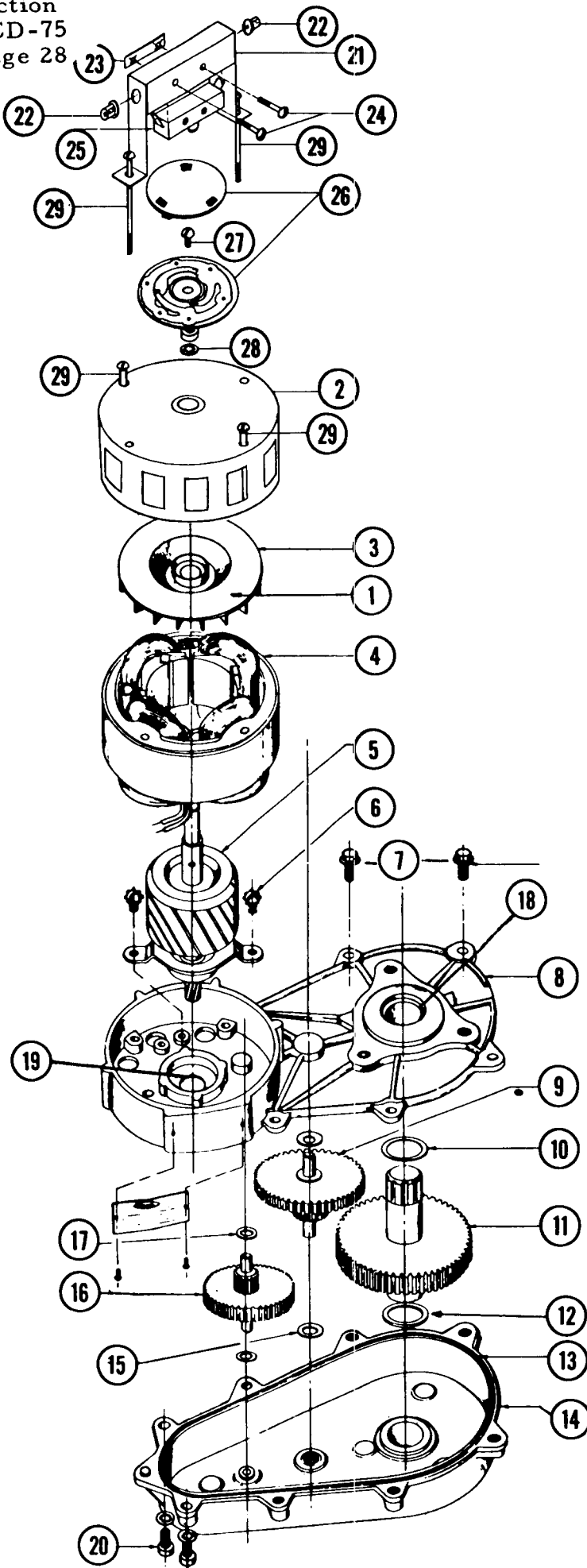


ITEM NO.	PART NO.	DESCRIPTION	ITEM NO.	PART NO.	DESCRIPTION
1.	2-1793-1	Reservoir Assembly	8.	12-1641	Vend Switch
2.	A-17905-1	Gear Motor Assembly	9.	A-21485	Outer Bin Assembly
3.	18-137	Fan Blade	10.	12-1292-1	Dispensing Drive Motor use with A-16066 Drive Shaft
4.	12-1575-1	Fan Motor	11.	A-21435	Freezer Assembly
5.	2-1752-1	Drier	12.		Electrical Hook Up Box
6.	2-1338	Hose Clamps	13.		Water Supply Inlet
7.	12-1434-4	Inlet Water Solenoid			

CHASSIS ASSEMBLY  
Left Side



ITEM NO.	PART NO.	DESCRIPTION	ITEM NO.	PART NO.	DESCRIPTION
1.	16-563	Service Valve Cap	9.		Wiring Panel Box
2.	16-560	Service Valve Core	10.	13-566	Base Gasket
3.	12-1570	Safety Switch	11.	18-1916	Condenser
4.	A-16004	Tie Bolts	12.	18-161-1	Motor Compressor
5.	3-255	Wing Nuts	13.	18-161-2	Compressor Overload
6.	3-1069	Cotter Pins	14.	18-161-3	Compressor Relay
7.	12-1540	Switch	15.	18-161-5	Starting Capacitor (189-220)
8.	2-1804	Plastic Spout Extension			



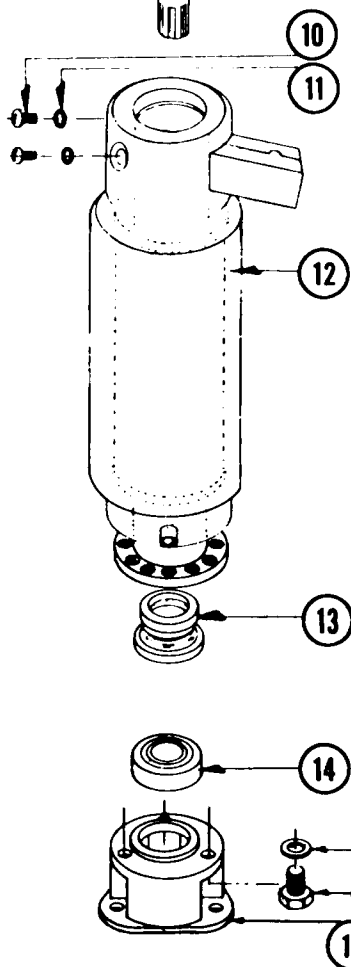
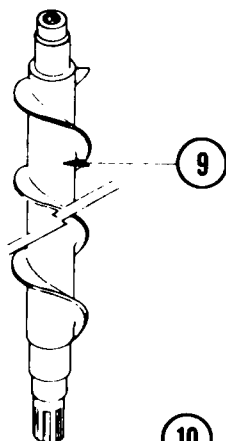
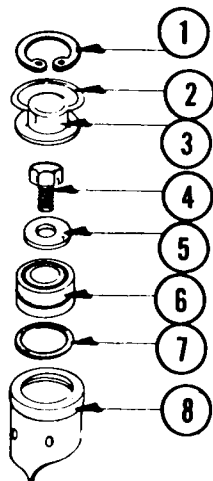
ACD-75 GEAR MOTOR ASSY.

ITEM NO.	PART NO.	NAME
1.	3-1246	Fan Set Screw
2.	A-17047	Motor Housing
3.	A-16915	Cooling Fan
4.	12-1343-1	Stator Assy.
5.	A-19884-1	Rotor Assy.
6.	3-1245	Screws
7.	3-1251	Flange Screws
8.	A-16920	Gear Case Cover
9.	2-1510	Gear & Pinion
10.	3-1408-5	Washer
11.	2-1513	Gear & Output Shaft
12.	3-1408-4	Washer
13.	2-1505	"O" Ring
14.	A-16919	Gear Case Assy.
15.	3-1408-6	Washer
16.	2-1511	1st Gear & Pinion
17.	3-1408-7	Washer
18.	2-1503	Grease Seal
19.	2-1504	Grease Seal
20.	3-1252	Screw
21.	8-579	Switch Bracket
22.	12-1213-3	Snap Bushings
23.	3-886	Twin Speed Nut
24.	3-1403-10	Screws
25.	12-1644	Switch
26.	A19898	Synchro Snap Assy.
27.	3-1248-1	Screw
28.	3-1407-6	Washer
29.	3-1403-42	Motor Bolts

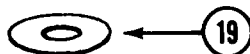
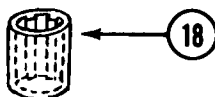
A-17905-1 Gear Motor Assy. Complete

Output Shaft turns at 7 RPM.

ACD-75 FREEZER ASSY.



ITEM NO.	PART NO.	NAME
1.	3-553	Retainer Ring
2.	A-8162	Cap Hook
3.	A-7701	Cap
4.	3-758	Screw
5.	A-7699	Washer
6.	2-547	Top Bearing
7.	13-617-16	"O" Ring
8.	A-9413	Breaker
9.	2-1313	Auger
10.	3-1403-46	Screw
11.	3-1417-7	Washer
12.	A-21434	Evaporator Shell Includes Suction Line, Etc.
13.	2-1300	Water Seal
14.	2-417	Bearing, Lower
15.	3-1408-3	Washer (3 reqd)
16.	3-1405-14	Cap Screw (3 reqd)
17.	2-1311	Adapter-Plastic
	A-21435-20	Freezer Complete With Suction Line
18.	A-13635	Spline Drive Coupling
19.	13-709-1	Shaft Drip Shield - rubber



SERVICE ANALYSIS  
ICE MAKER SECTION ACD-75

SYMPTOM	POSSIBLE CAUSE	CORRECTION
Water Leaks	Defective water seal Gravity feed line leaking Water level in reservoir too high	Replace. Check hose clamps. Adjust to 1/4 inch below overflow pipe.
Excessive noise or chattering	Mineral or scale deposit on auger and inner freezing chamber walls. Low suction Intermittent water supply Water level in reservoir too low Gear reducer loose on frame Motor compressor not solid on rubber mounts	Remove and manually polish auger, polish inner chamber walls of freezer barrel. For lighter concentration use Scotsman Ice Machine Cleaner periodically. Add gas to raise suction pressure. Check and clean water strainer. Check gravity feed line for air lock. Remove air lock. Adjust to 1/4 inch below overflow pipe. Tighten bolts. Repair or replace rubber mounts.
Gearmotor noise	Low on oil	Remove case cover to check for proper oil level. Top of gears should be covered. Use Sun Oil Co. . Prestige 50 A.E.P.

SERVICE ANALYSIS  
ICE MAKER SECTION ACD-75

Section  
ACD-75  
Page 31

SYMPTOM	POSSIBLE CAUSE	CORRECTION
Unit will not run	Blown fuse  Loose electrical connection  Inoperative master switch	Replace fuse and check for cause of blown fuse.  Check wiring.  Replace switch.
Compressor cycles intermittently	Low voltage Dirty condenser Air circulation blocked Inoperative condenser motor Non-condensable gases in system	Check for overloading. Clean. Move unit to correct. Replace.  Purge off.
Making wet ice	Surrounding air temperature Under or over-charge of refrigerant High water level in water reservoir Faulty compressor	Correct or move unit Recharge with the proper amount. Lower to 1/4 inch below overflow pipe. Replace or repair.
Low ice production	Loss of refrigerant, under or over-charge of refrigerant.  Dirty or plugged condenser Low water level in water reservoir  Partial restriction in capillary tube or drier   Inlet water strainer partially plugged.  Corroded or stained worm shaft due to water condition	Check and recharge with proper amount of refrigerant.  Clean condenser Adjust to 1/4 inch below overflow pipe.  Moisture in system. Overcharge of oil in system. Remove charge and drier. Replace and recharge system.  Remove screen and clean.  Remove worm shaft and clean.
Machine runs but makes no ice	Loss or under-charge of refrigerant Water not entering freezing chamber   Moisture in system  Water seal leaking  Water turned off while unit was operating	Check for leaks and recharge Plugged strainer or supply line. Check and clean. Air lock in gravity feed line. Check and remove air lock.  Check and remove charge and drier. Replace and recharge. Replace seal.  Inlet water line froze shut. Unit must be turned off and defrosted.



SERVICE ANALYSIS  
DISPENSING MECHANISM

SYMPTOM	POSSIBLE CAUSE	CORRECTION
Will not dispense	Power off Motor overload open Cam switches improperly set Master switch open Spout jammed with ice. Unit not level or holding glasses against spout. Wires off dispensing switch.	Check line fuses and plug. See correction under motor overload. Adjust per manual Cabinet cover must be on tight to keep switch on. Remove ice and clear ice under removable bottom. Check reservoir possibly too high. Check switch terminals.
Motor hot--Overload Open	Ice under removeable bottom. Wing nuts on cover turned down too tight. Shutter or rotating bin does not turn free. Ice too hard.	Remove ice. Keep wing nuts only slightly snug - never tight. Check and repair any drag. Raise freezer water level and check refrigerant charge.
Dispenser does not stop.	Brake on drive motor not working properly. Cam switches out of adjustment.	Brake must be free and stop the motor before 5 revolutions after the dispensing switch is released. Check switches and set per manual.
Water will not dispense	Solenoid defective Lines closed up.	Replace. Clean.
Water runs too slow	Water line too small	Increase size

## MAINTENANCE INSTRUCTIONS - FLAKER SECTION

THE FOLLOWING MAINTENANCE SHOULD BE SCHEDULED THREE TIMES PER YEAR.

1. Check and clean water strainers and float valve. Depress float valve to insure full stream of water.
2. Check water level and machine level. Keep water level below overflow, but as high as possible and still not run out of spout opening with machine off. Water should come out of spout with ice at all times. Adjust as required.
3. Clean reservoir and interior of freezer assembly using SCOTSMAN ice Machine Cleaner. See cleaning instructions on next page.
  - A. If machine has been cleaned regularly and no problems such as dry ice or chatter are noticed, clean by making ice from solution of 4 oz. of cleaner to 2 quarts of water.
  - B. If heavy mineral deposits on auger and walls, or sediment at inlet to freezer are encountered, clean by pouring strong solution 1/2 acid - 1/2 water into reservoir and operate drive motor only for agitation. Allow 1/2 hour or longer as required. Drain by disconnecting tygon at water inlet to freezer.

NOTE: Cleaning requirements vary according to local water conditions. Visual inspection of the auger before and after cleaning will indicate best procedure to be followed in local area.

4. Check top bearing of freezing tube. Remove retainer ring around edge of stamped brass cap, pull cap off. If moisture is around bearing, wipe up and remove grease. Add new grease. Use Beacon No. 325 or equal.
5. Clean air cooled condenser. Always shut off machine when cleaning.
6. Oil condenser fan motor when possible.
7. Check for refrigerant leaks and proper frost line. Should frost out of accumulator at least one-half way to compressor, and in some areas, back to service valve.
8. Check for water leaks. Tighten drain line connections. Run water down drain line to make sure it is open.
9. Check quality of ice. Ice should be wet when formed, but will cure rapidly to normal hardness in the bin.

CLEANING INSTRUCTIONS FOR SCOTSMAN  
ICE MACHINE MODEL ACD75J & ACD1J

1. Set selector switch to continuous ice and vend until bin is empty.
2. Remove top cabinet cover.
3. Remove storage bin cover and spout extension.
4. Remove both ice control flippers from storage bin cover. Note positions of these parts, if parts re-assembled incorrectly damage to the machine may result.
5. Remove inner bin and bin bottom.
6. Position shutter over rubber ice spout and replace bin cover.
7. Turn OFF water supply or block float. Drain reservoir by disconnecting tube between reservoir and freezer. After draining, re-connect tubing.
8. Block main switch ON and pour cleaning solution into reservoir. (Use 4 oz. of Scotsman cleaner and 1 qt. of hot water). Do not fill above overflow tube. Do not allow unit to operate with less than 1" of solution in reservoir.
9. While waiting for Step #8 and/or #11 to complete, remove drain grate and ice vend lever from sink. Wash and sanitize these parts and parts removed from storage bin in accordance with local health department regulations. (Step #8 may complete before Step #9). Finish washing parts during Step #11 if necessary.
10. Remove block from main switch. Wash and rinse reservoir, turn water on or remove float block.
11. Block main switch ON. Let unit run for at least 15 minutes to flush out any cleaning fluid. Check ice for acid taste- run until ice tastes sweet.
12. Remove block from main switch and remove bin cover. Add hot water to ice in bin, using this melt water thoroughly wash and rinse the underside of the storage bin top, shutter, rubber ice spout and all surfaces within the storage bin.
13. Using solution from Step #9, thoroughly wash and rinse sink.
14. Re-assemble storage bin and sink parts.
15. Replace cabinet cover. Unit is ready for normal operation.

THE KIT

1. Top Case Hanger Bracket  
Attach to inside of frame of the dispenser.
2. Top Wall Bracket  
Mounts to wall and engages top case hanger bracket to support dispenser.
3. Bottom Wall Bracket  
Mounts to wall and supports bottom of dispenser.
4. Bottom Fittings Cover  
Fastened to bottom wall bracket to conceal electrical and plumbing fittings from view.

A	ACD1 & ACD75	23 <sup>3</sup> / <sub>16</sub>
	ACD1J & ACD75J	24 <sup>3</sup> / <sub>16</sub>

WALL MOUNT KIT  
Part # A-19092

TOP HANGER BRACKET:

1. Remove back cover and save four screws for mounting bracket.
2. Remove top cover.
3. Drill out four holes of weld nuts in back of frame with 3/16 dia. drill as indicated in illustration.
4. Place bracket inside of frame and fasten solidly with four screws, saved from Step 1, through drilled out holes

TOP WALL BRACKET:

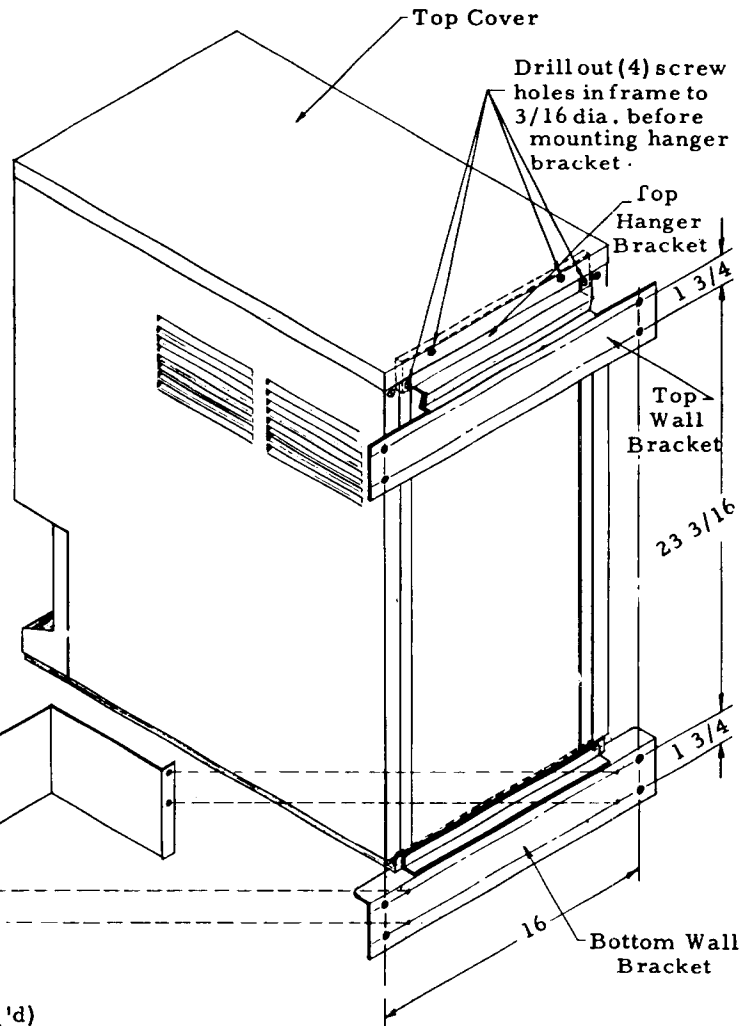
1. Position bracket in desired location.
2. Secure to wall with fasteners of any suitable type for that particular wall through the four holes in bracket. These fasteners or lag screws are not furnished. /Be sure to secure bracket rigidly to wall./

BOTTOM WALL BRACKET:

1. Hang the dispenser on top wall bracket.
2. Position bottom bracket so that molding on dispenser base bottoms in channel of the bracket.
3. Secure bracket to wall through the four large holes with suitable fasteners. /Fasteners not furnished./

Bottom Fitting Cover

Sheet Metal Screw (4 req'd)



BOTTOM FITTINGS COVER:

1. Connect water inlet, bin drain and sink drain of dispenser through bottom of case. Also run electrical cable in from bottom.
2. Secure fitting cover to bottom wall bracket with the four sheet metal screws provided in this kit.

2. The interlock must be closed before the dispenser will function.
3. The interlock is closed by the top cover of the dispenser. When the cover is tightly in place.
4. To place the cover in proper position, it may be necessary to bend out the back lip of the cover at the screw holes with pliers. Caution! There must be enough friction between the screw heads, (which secure the hanger bracket) and the top cover to hold the cover tightly down on the case and interlock.

GENERAL INFORMATION

1. The dispenser is provided with an interlock device.

A21537 SINK EXTENSION KIT

A conversion for ACD75J and ACD1J dispensers to increase the distance between the discharge spout and the sink to twelve inches and to provide a faster sink drainage.

- KIT:
- A19720 Sink and Drain Assembly  
(4) 3-1403-29 Screws
  - 2-1828 Splash Plate  
(6) 3-1403-7 Screws
  - 2-1701 Drain Grill  
(6) 3-1406-1 Nuts
  - A21538 Base  
(2) 3-1403-6 Screws

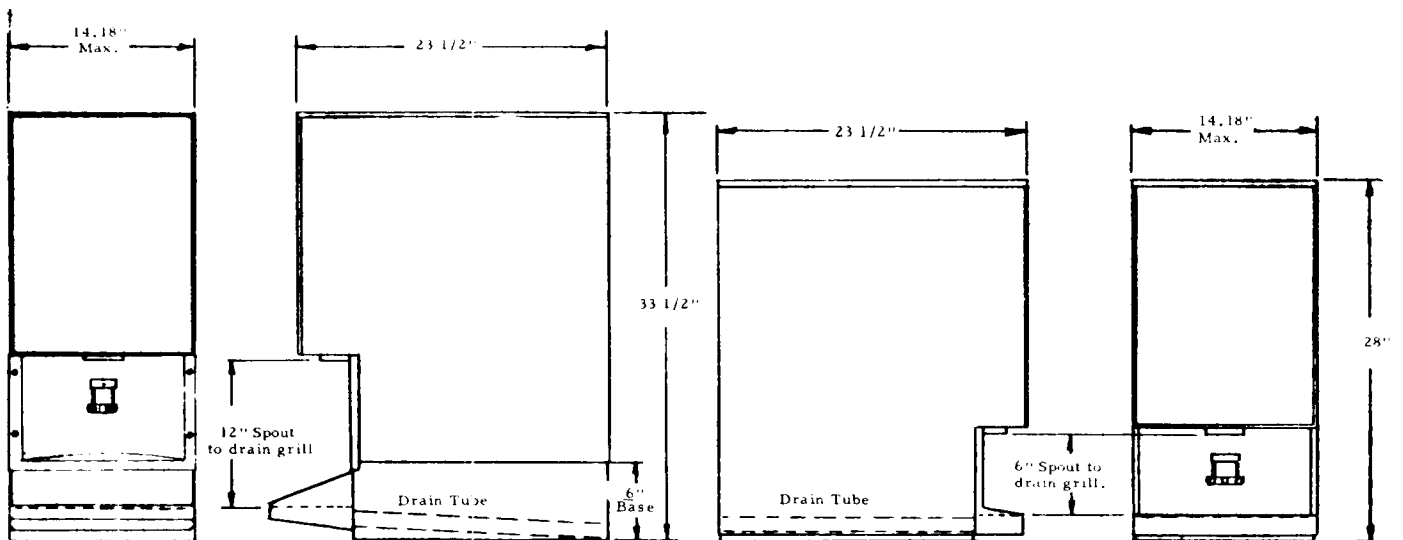
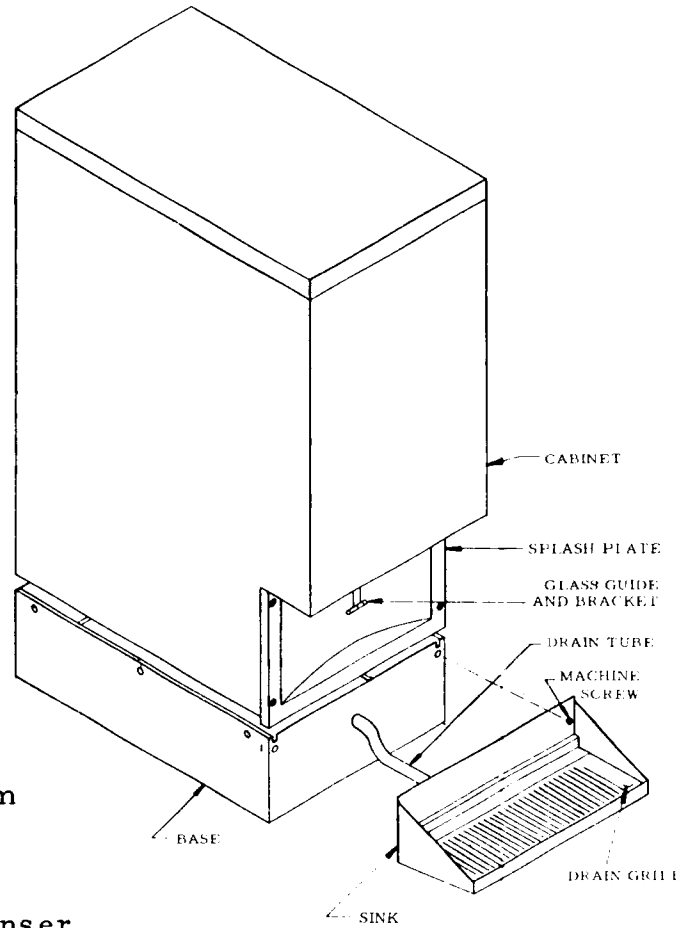
FEATURES:

By the use of the splash plate, only, and the wall bracket A19090 (another accessory), the ACD models can be mounted on a wall over an existing sink.

As a counter-top model, the dispenser is mounted on the six-inch base, A21538. The splash plate, sink and grill replace the conventional sink on the models.

INSTALLATION:

1. Remove conventional sink from cabinet.
2. Remove glass actuator arm and holder from sink.
3. Remove drain tube from original sink.
4. Install drain tube to replacement sink.
5. Remove rubber seal from base of the dispenser.
6. Mount the dispenser on base, A21538. The flange of the dispenser base is to fit in slots provided in the base extension. Secure with the 3 screws on each side of base.
7. Mount sink in place and secure with two machine screws.
8. Install splash plate to cabinet with four machine screws, furnished. The splash plate fits over top of sink
9. Install glass actuator arm and holder to splash plate. The plunger on the arm must operate freely through hole in splash plate.
10. Install grate.



UNIT WITH SINK EXTENSION KIT

UNIT WITHOUT KIT