

The TLE series is designed for air conditioning, heat pumps, transportation and commercial refrigeration. Take-Apart construction improves serviceability with replaceable/interchangeable parts. TLE valves do not have an external superheat adjustment.

### Features

- Stainless steel power element eliminates corrosion and prevents valve failure
- Non-adjustable superheat to maintain factory setting
- Bi-Flow capability for heat pump applications (external equalizer required)
- Take-Apart construction for easy field service



### Options

- Interchangeable capacity cages, power assemblies and flanges

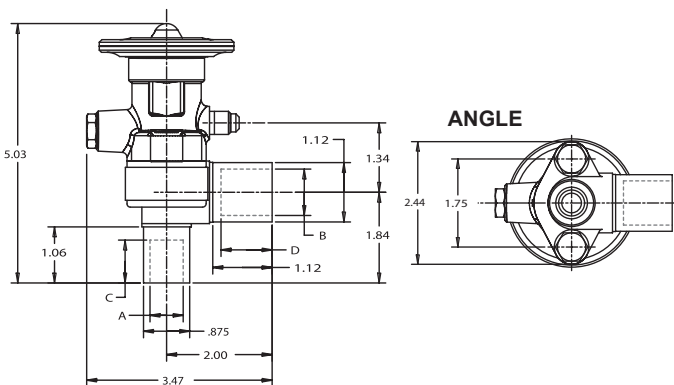
### Specifications

- Maximum working pressure: 450 psig
- Capscrew Torque: 300 in. lbs.

### Nomenclature example: TLEB 5 HCA 5 FT 3/8 x 1/2 ODF S/T

| TL                                 | E  | B   | 5  | H  | C   | 5 FT   | 3/8 x 1/2   | ODF   | S/T  |
|------------------------------------|--|---|--|--|---|--|---|---|--|
| <b>Valve Series*</b><br>Take-Apart | <b>Equalizer</b><br>E=External<br><br>1/4" SAE Standard<br>1/4" ODF Available<br><br>(Omit for Internal) | <b>Bleed Hole</b><br>(optional)<br><br>B=Bleed Hole<br><br>(Omit for no bleed hole) | <b>Capacity</b><br>Nominal Rating in Tons<br><br>(See Cage Capacity Table) | <b>Refrigerant Code</b><br>+F = R-12<br>• H = R-22<br>+M = R-134a<br>• N = R-407C<br>*P = R-507<br>*R = R-502<br>*S = R-404A | <b>Charge Code</b><br><br>C = medium temp<br>CA = heat pump<br>W(MOP) = press. limiting<br>Z = low temp | <b>Capillary Tube Length</b><br><br>5 FT (std) | <b>Inlet x Outlet Connection Sizes</b><br><br>Various sizes are available (valve is available also less flange) | <b>Connection Type</b><br><br>SAE=flare<br><br>ODF=solder | <b>Configuration</b><br><br>ANG = 90° angle<br>S/T = straight-thru |

- + = R-12 and R-134a are interchangeable refrigerant charges
- \* = R-507, R-502 and R-404A are interchangeable refrigerant charges
- = R-22 and R-407C are interchangeable refrigerant charges



### Dimensional Data (in)

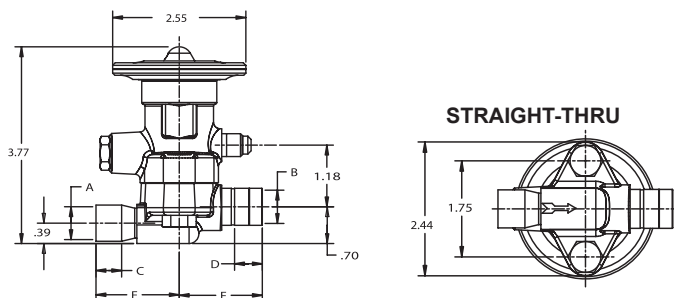
#### TLE Angle

| Connection Size    |                      | A    | B    | C MIN | D MIN |
|--------------------|----------------------|------|------|-------|-------|
| Inlet              | Outlet               |      |      |       |       |
| ODF:ODM<br>5/8:7/8 | ODF:ODM<br>7/8:1 1/8 | 0.63 | 0.88 | 0.81  | 1.00  |

#### TLE Straight Thru

| Connection Size |           | A    | B    | C MIN | D MIN | E    | F    |
|-----------------|-----------|------|------|-------|-------|------|------|
| Inlet           | Outlet    |      |      |       |       |      |      |
| 5/8 ODF         | 1 1/8 ODF | 0.63 | 1.13 | 0.53  | 0.91  | 1.63 | 2.50 |
| 7/8 ODF         | 1 1/8 ODF | 0.88 | 1.13 | 0.75  | 0.91  | 1.94 | 2.50 |
| 7/8 ODF         | 1 1/8 ODF | 0.88 | 1.38 | 0.75  | 0.97  | 1.94 | 2.69 |

Allow 2-1/8" above valve for removal of power assembly.



## Ordering Information

### Valve Less Flange (VLF)

| Valve Less Flange <sup>1</sup> | PCN    | Equalizer Type      | Refrigerant |
|--------------------------------|--------|---------------------|-------------|
| TLE 1/2 HW                     | --     | 1/4 SAE<br>External | R-22        |
| TLE 1 HW                       | --     |                     |             |
| TLE 2 HW                       | --     |                     |             |
| TLE 3 HW                       | 041734 |                     |             |
| TLE 5 HW                       | 054793 |                     |             |
| TLE 7-1/2 HW                   | 054794 |                     |             |
| TLE 10 HW                      | 055125 |                     |             |
| TLE 12 HW                      | 054795 |                     |             |

<sup>1</sup>Also available with "HCA" charge for heat pump and air conditioning applications.

### Cage Capacities in Tons

| PCN    | Description | R-12  | R-134A | R-22/R-407C | R-404/R-507/<br>R-502 |
|--------|-------------|-------|--------|-------------|-----------------------|
| 041551 | X-22517 B1B | 1/4   | 1/4    | 1/2         | 1/4                   |
| 041556 | X-22517 B3B | 1     | 1½     | 2           | 1                     |
| 041560 | X-22517 B4A | 2     | 2½     | 3           | 2                     |
| 041558 | X-22517 B4B | 2     | 2½     | 3           | 2                     |
| 041562 | X-22517 B5B | 3     | 3½     | 5           | 3                     |
| 041564 | X-22517 B6B | 4     | 5½     | 7½          | 4½                    |
| 041566 | X-22517 B7B | 6-1/2 | 7½     | 10          | 7                     |

### Flanges

| PCN    | Description | Connections         |
|--------|-------------|---------------------|
| 027770 | 9761-2      | 1/2 X 7/8 ODF S/T   |
| 027771 | 9761-3      | 3/8 X 5/8 ODF S/T   |
| 027268 | 9761-4      | 1/2 X 5/8 ODF S/T   |
| 027769 | 9761-5      | 3/8 X 1/2 ODF S/T   |
| 027766 | 9761-6      | 1/2 X 1/2 ODF S/T   |
| 027764 | A-576       | 5/8 X 7/8 ODF ANG   |
| 056932 | C-500-4     | 3/8 X 1/2 SAE ANG   |
| 057153 | C-500-5     | 3/8 X 5/8 SAE ANG   |
| 056294 | C-500-6     | 1/2 X 5/8 SAE ANG   |
| 065527 | C-501-4     | 3/8 X 1/2 ODF ANG   |
| 065748 | C-504-5     | 3/8 X 5/8 ODF ANG   |
| 065861 | C-504-7     | 1/2 X 5/8 ODF ANG   |
| 044733 | X-6346-16   | 5/8 X 5/8 ODF S/T   |
| 044846 | X-6346-17   | 5/8 X 7/8 ODF S/T   |
| 094038 | X-6346-18   | 5/8 X 1-1/8 ODF S/T |
| 071757 | X-6346-34   | 7/8 X 1-1/8 ODF S/T |
| 050563 | X-6669-1    | 3/8 X 5/8 SAE S/T   |
| 050842 | X-6669-2    | 1/2 X 5/8 SAE S/T   |
| 051176 | X-6669-4    | 3/8 X 1/2 SAE S/T   |
| 083378 | X-6669-5    | 1/2 X 1/2 SAE S/T   |

### Replacement Power Assemblies

| PCN    | Description      |
|--------|------------------|
| 083765 | XB1033 FW25-1B   |
| 061760 | XB1033 HW-1B     |
| 077201 | XB1033 HW-15A    |
| 089748 | XB1033 HW-75B    |
| 095534 | XB1033 HW100-15B |
| 095813 | XB1033 HW100-1B  |

### Power Assembly Nomenclature

| Description                                |
|--|
| XB-1033 XXX-YZ                             |
| xxx = charge code                          |
| y = cap tube length code                   |
| z = internal (A) or external (B) equalizer |