

The EX2 is an electrically driven expansion valve designed for use with R-12, R-22, R-134a, R-404A, R-407C, and R-502.

### Features

- Pulse width modulation provides precise temperature control
- Dampened plunger reduces noise and effects of “water hammer”
- Shut off function eliminates the necessity of a separate solenoid valve

### Options

- One valve body can be combined with 6 orifices to make 6 capacity ranges up to 2.7 tons R-22.



### Specifications

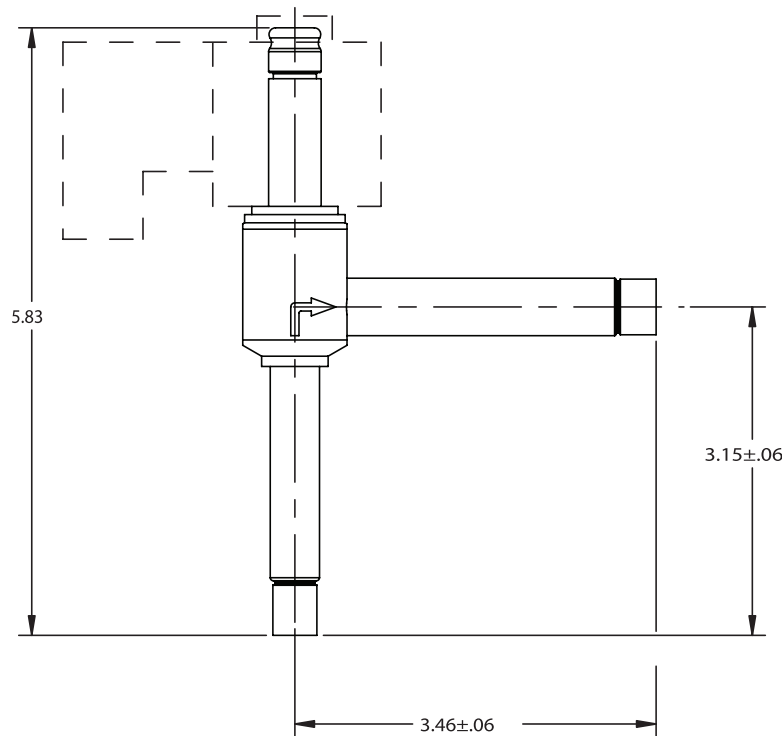
- Designed for 15 year life or 80 million cycles at 15 sec. duty cycle
- Maximum Working Pressure: 400 psig MOPD, 500 psig
- ASC2X Coils: 24V/60Hz, 120V/60Hz
- UL/CUL file number: MP604

**NOTE:** This valve requires a ASC2X type coil assembly. ASC2X type coil requires cable assembly PCN:059261.

**Nomenclature** example: EX2 1/4 x 3/8 EXO-001 ASC2X 120V

EX2	1/4	3/8	EXO-001	ASC2X 120V
Valve Series	Inlet Connection	Outlet Connection	Orifice	Coil

### Dimensional Data



## Ordering Information

Device	Description	PCN
Electronic Expansion Valve	EX2 3/8 x 1/2	064497
24V/60Hz Coil	ASC2X 24/60	064503
120V/60Hz Coil	ASC2X 120/60	064504

The liquid capacity table below quotes capacities at 100% duty cycle (i.e. the valve is open continuously). However, it is recommended to operate the valve at partial load (50-80%) to allow for system load fluctuations. The valve operates with a 6 second pulse width cycle. Partial capacity can be calculated by proportioning the actual pulse time relative to 6 seconds (i.e. 3 second pulse width cycle time = 50% valve capacity).

## Liquid Capacity Table in Tons @ 100% Duty Cycle

PCN	Orifice #	R-134a Tons (kW)	R-22 Tons (kW)	R-404A / R-507 Tons (kW)	R-407C Tons (kW)	R-744 Tons (kW)
064570	EXO-00X	0.2 (0.7)	0.2 (0.9)	0.17 (0.6)	0.28 (1.0)	0.51 (1.8)
064569	EXO-000	0.3 (1.2)	0.4 (1.6)	0.3 (1.1)	0.48 (1.7)	0.94 (3.3)
064499	EXO-001	0.7 (2.5)	0.9 (3.2)	0.65 (2.3)	1.0 (3.5)	1.85 (6.5)
064500	EXO-002	0.9 (3.3)	1.2 (4.3)	0.85 (3.0)	1.34 (4.7)	2.47 (8.7)
064501	EXO-003	1.6 (5.6)	2.0 (7.2)	1.45 (5.1)	2.22 (7.8)	4.15 (14.6)
064502	EXO-004	2.4 (8.5)	3.1 (10.9)	2.19 (7.7)	3.36 (11.8)	6.31 (22.2)
064497	No Orifice Used	3.7 (13.3)	4.8 (17.2)	3.44 (12.1)	5.32 (18.7)	9.95 (35.0)

Nominal capacities shown in this table are based on 40°F evaporating temperature, 100°F condensing temperature and 100 psig pressure drop across the valve.